

Technical characteristics

Counters

- Front skirts made of 30mm bilaminate chipboard. of thickness.
- Table tops made of 25mm bilaminate chipboard. of thickness.
- Sides and reception shelf made of 19mm bilaminate chipboard. of thickness.
- There are terminal and intermediate sides manufactured in 19mm bilaminated chipboard. of thickness
- Straight edges with 2 mm PVC heel. thick.
- The sides and front apron incorporate levelers made of black non-slip thermoplastic with a 20 mm adjustment. in height.
- The shelf is attached to the front skirt in the position desired by the client using direct wood screws. This shelf incorporates two 10mm laser cut metal sides. thick finished in aluminum, white or black epoxy paint.
- Table height 730 mm. and shelf 110cm.

Tables

- Table tops made of 25mm bilaminate chipboard. of thickness. Straight edges with 2 mm PVC heel. thick.
- Table height 730 mm.
- The structure consists of 2 metal legs in the shape of an inverted Y manufactured using two 2mm laser cut sheets. joined together by a 4mm ribbed plate. of thickness. Each leg is finished with a pressure-mounted plastic trim made of polypropylene in various colors. Finished legs in aluminum, white or black epoxy paint.

- The legs incorporate a leveler made of black non-slip thermoplastic with a 25 mm adjustment. in height.
- Both legs are joined through a bilaminate skirt that also joins the structure to the top.

Meeting tables

- 25 mm bilaminate envelopes. of thickness. Straight edges with 2 mm PVC heel.
- Base foot structure or by means of terminal or intermediate MAYA series legs joined by two skirts of 19mm bilaminate.

Separator panels

- They can be made of 19mm bilaminate. thick, 6mm matte safety glass (3+3) or upholstered in any group 1 upholstery (check prices for other upholstery groups). They incorporate rounded top corners.
- Metal panel support finished in aluminum-color epoxy paint. Fixed to table with M6 screws and panels with stud.
- There is the possibility of placing separator panels on the table using a similar hardware and securing it to the table top in the position indicated by the client using an M6 screw.

credenza

- Frame made of 25 mm bilaminate chipboard. thick with rear view of 25mm. (rest in 19mm.).
Straight edges with 2 mm PVC heel.

Technical characteristics

- Provided with six 170mm metal legs. Tall Made of round tube with a diameter of 30x2mm. Are Legs incorporate a leveler made of black non-slip thermoplastic with 25 mm adjustment. in height. Finished legs in aluminum, white or black epoxy paint. • There is a version with an intermediate divider, shelves and sliding doors (aluminum PVC handle) and another version that incorporates three 40cm deep drawers on one side. (aluminum-colored PVC handle) and rest of the shelf.

Chest of drawers

- Made of 19 mm bilaminate chipboard. thick with rear view, except the cover which is made in 25mm. Straight edges with 2 mm PVC heel.
- Provided with three 170mm metal legs. Tall Made of round tube with a diameter of 30x2mm. Are Legs incorporate a leveler made of black non-slip thermoplastic with 25 mm adjustment. in height. Finished legs in aluminum, white or black epoxy paint.
- Equipped with standard PVC drawers that run on metal guides with partial or total extraction for the case of files.
- Aluminum-colored PVC handles or "PUSH TO" system "OPEN"
- All drawer units incorporate centralized lock with double key hinge cover.
- There is the possibility of equipping the drawer unit with a depth of 80cm. with 20cm shelves. deep in the back or incorporating a folding lid (using a spring) that allows hidden electrification of the workstation. This chest of drawers incorporates a side and bottom cable gland hole for the wiring exit. SEE PAGE 66.

ALL DRAWER CABINETS CAN INCORPORATE THE "PUSH TO OPEN" SYSTEM BY INDICATING IT IN THE ORDER. INCREASE OF + €4.00 PER DRAWER FRONT.

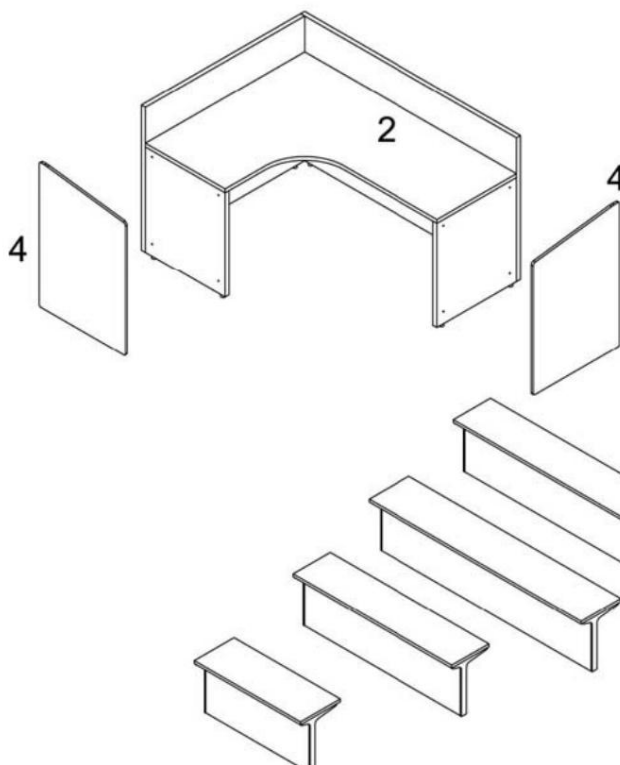
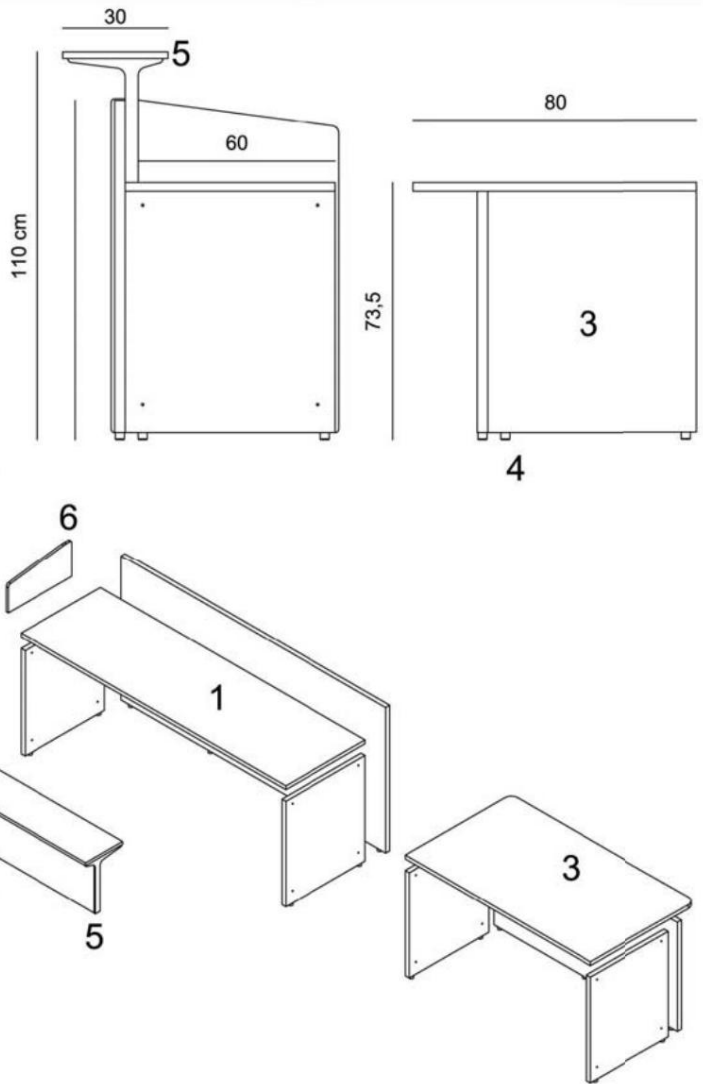
Cupboard

- Made of 19 mm bilaminate chipboard. thick with rear view, except the roof and the bottom which are made of 25mm. Straight edges with PVC heel 2mm.
- Provided with three or six 170mm metal legs. high made of round tube with a diameter of 30x2mm. Are Legs incorporate a leveler made of black non-slip thermoplastic with 25 mm adjustment. in height. Finished legs in aluminum, white or black epoxy paint.
- Sliding or swing doors provided with locks. Includes double key hinge cover.
- Aluminum-colored PVC handles.
- There is the possibility of fixing it to 80cm tables. a closet height 140cm. with double access to shelves (normal or metal magazine racks) on each side with a central rear or a 120cm high cabinet. with ORGATOWER system that allows the extraction of a vertical drawer with shelves (made entirely of bilaminate) that gives double lateral access to users. SEE PAGE 67.
- There is the possibility of attaching to double 165cm tables. a closet height 140cm. or 73cm. with intermediate side, bilaminate shelves and sliding doors. There is also the possibility of fixing a 73cm high wardrobe. with side swing doors on each side of the table. SEE PAGE 68.
- There is the possibility of equipping a 125 or 165cm wardrobe. with a folding lid in the central area (using a spring) that allows hidden electrification of the workstation. These cabinets incorporate side and bottom cable entry holes for wiring exit. SEE PAGE 69 and 70.

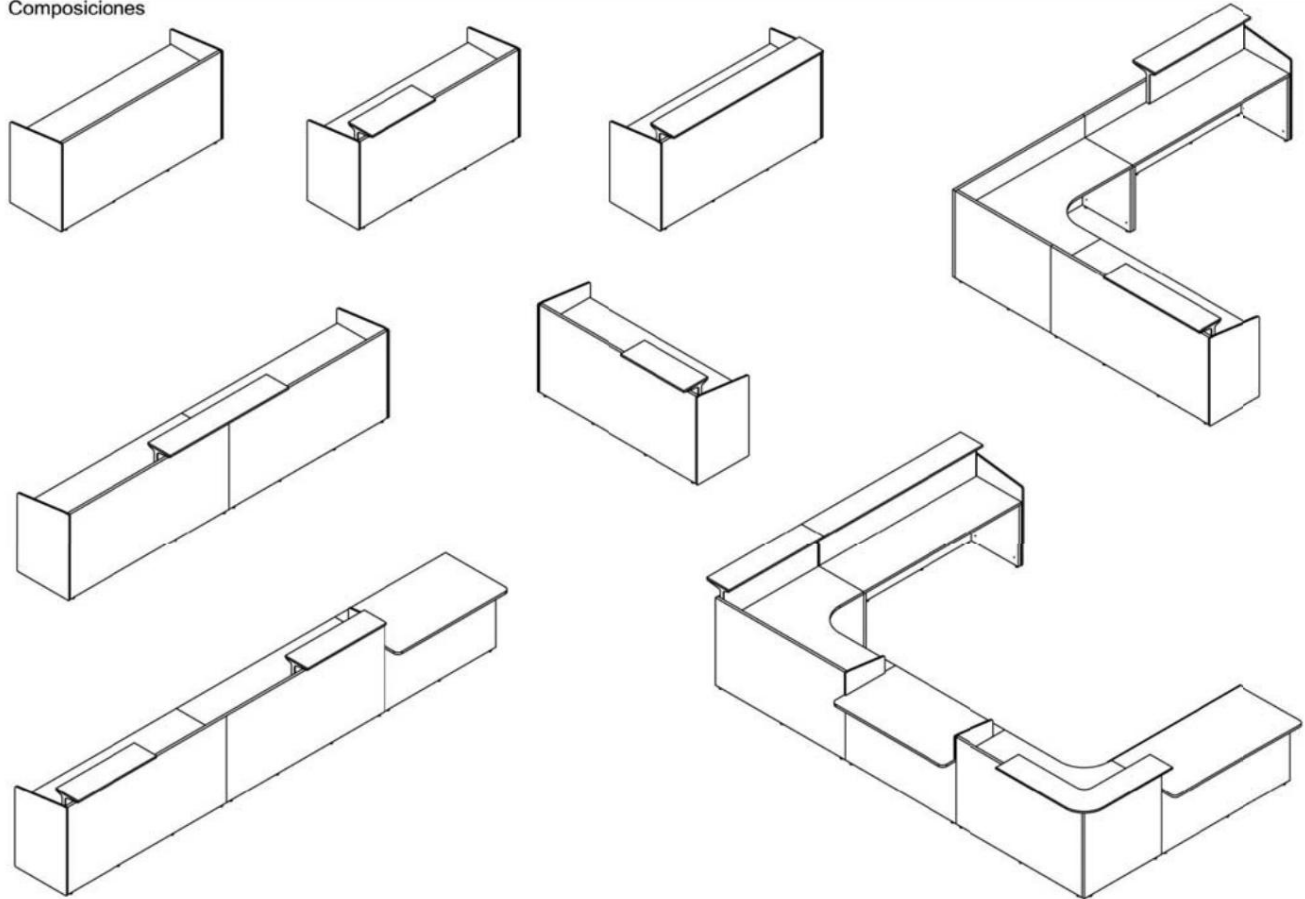
REST OF DRAWERS, CABINETS, BOOKCASES, LOCKERS, ACCESSORIES, ETC. CONSULT ONYX OR VENUS SERIES

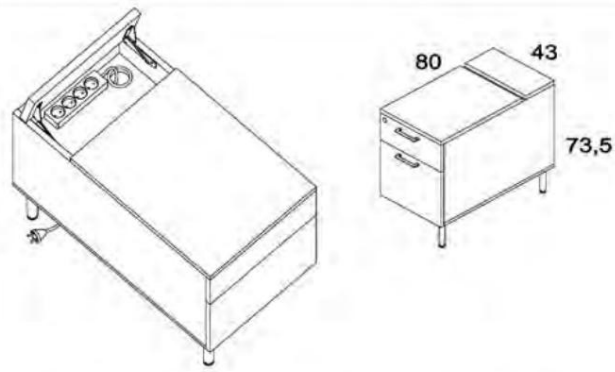
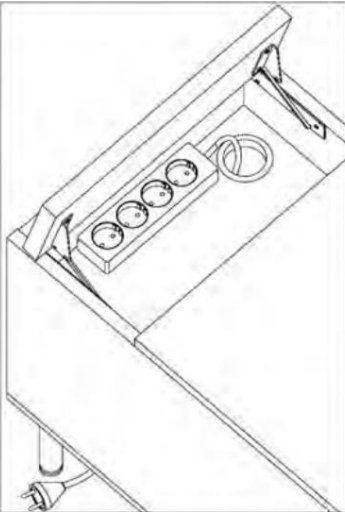


- | | |
|---|-----------------------|
| 1 | Mostrador recto |
| 2 | Mostrador giro 90° |
| 3 | Módulo discapacitados |
| 4 | Lateral final |
| 5 | Repisas recepción |
| 6 | Lateral intermedio |

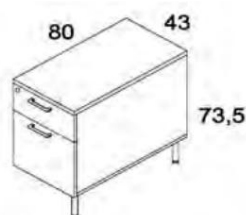
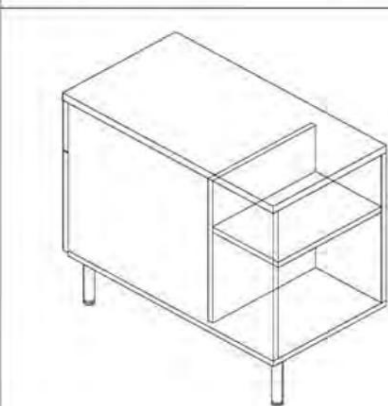
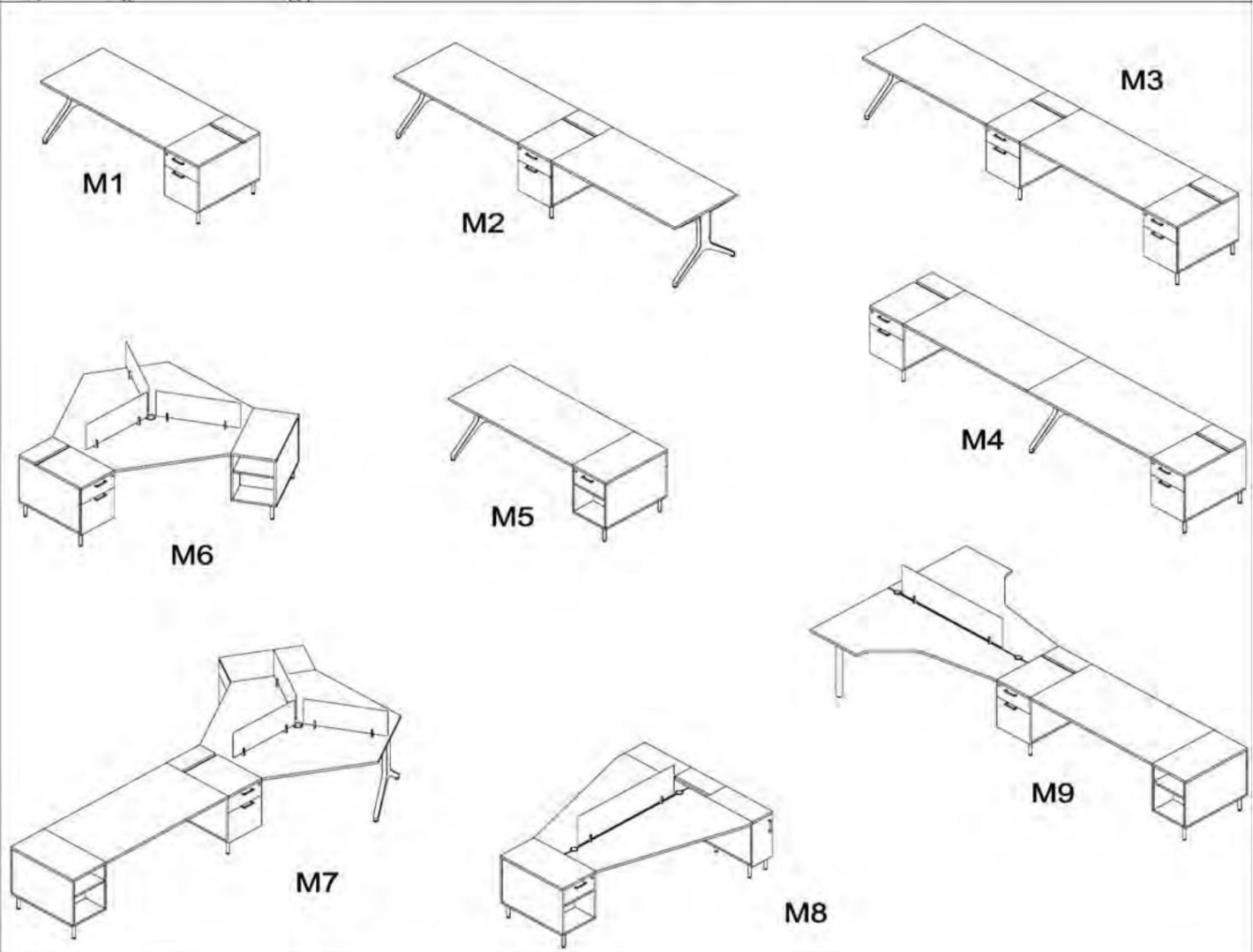


Composiciones

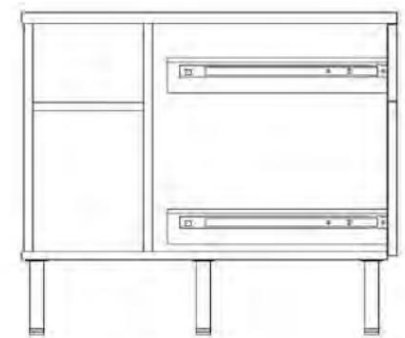


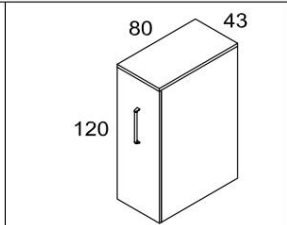
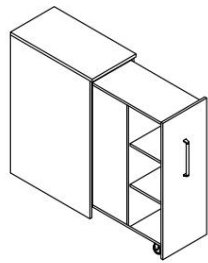
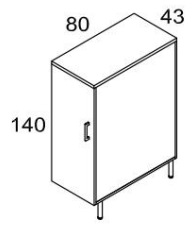
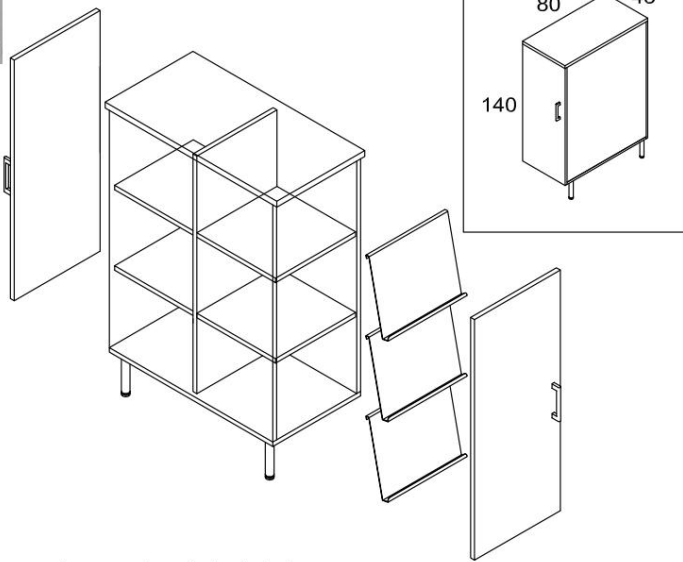


Cajonera electricable, fondo 80



Cajonera c/estantes, fondo 80



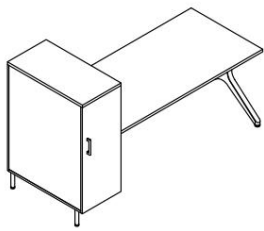


Armario pedestal doble acceso

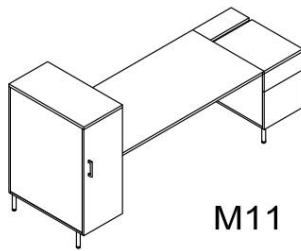
Sólo estantes / con puertas o con estantes revisteros

Armario Orga-tower

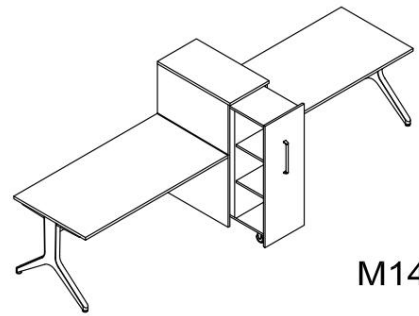
6 Huecos útiles de 30x30cm. (prof. 35cm.). 3 a cada lado



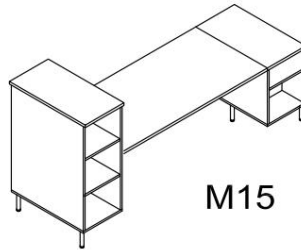
M10



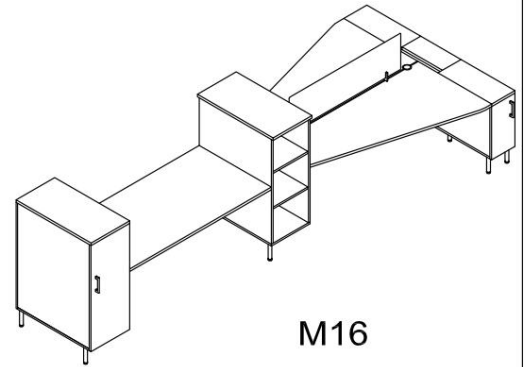
M11



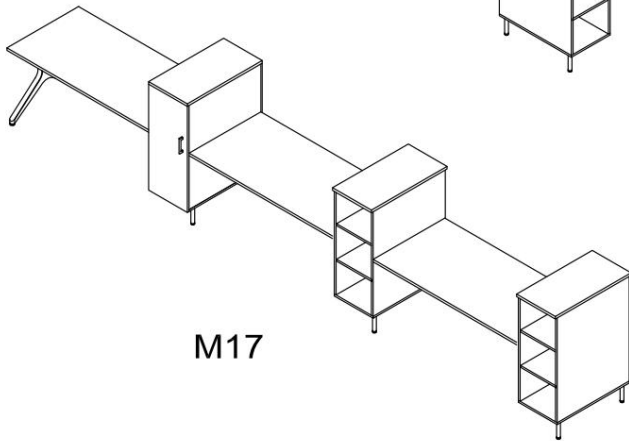
M14



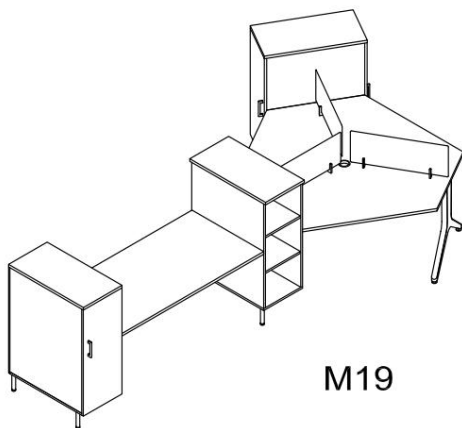
M15



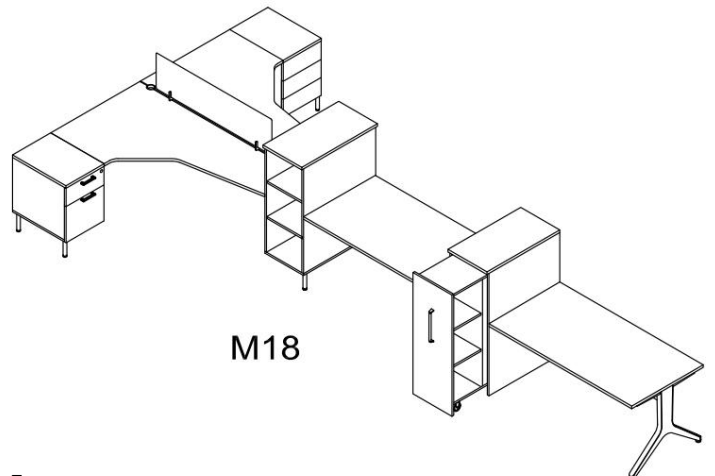
M16



M17

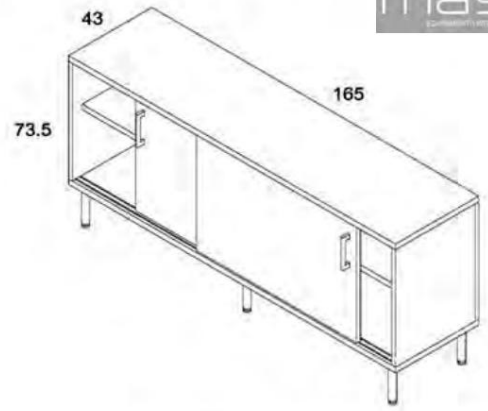
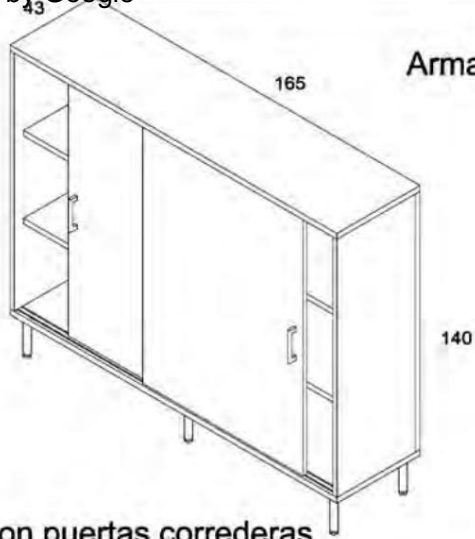


M19

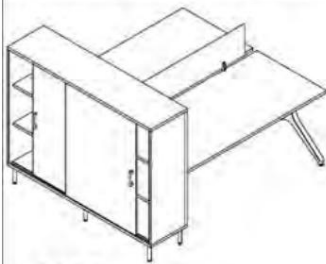


M18

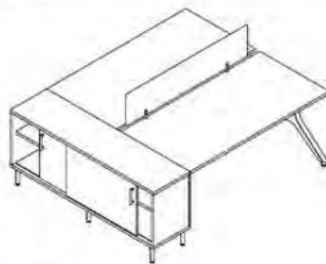
Armario bajo con puertas correderas



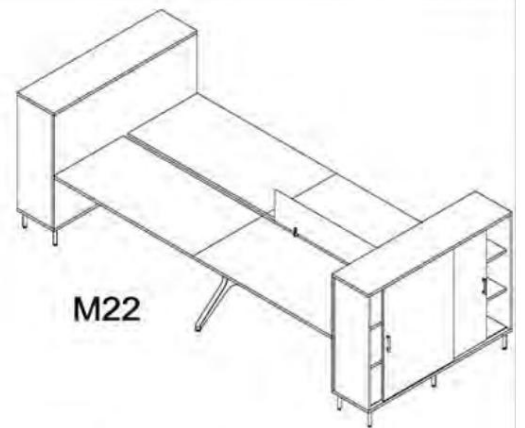
Armario alto con puertas correderas



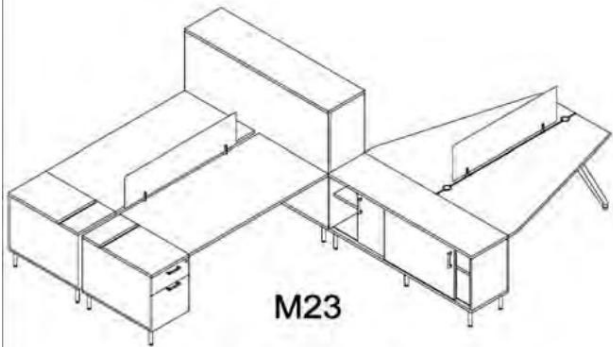
M20



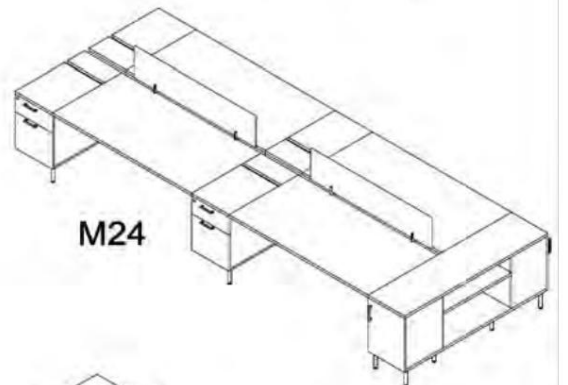
M21



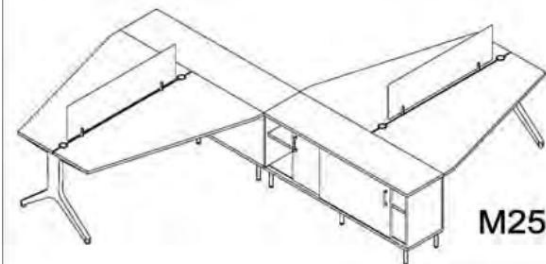
M22



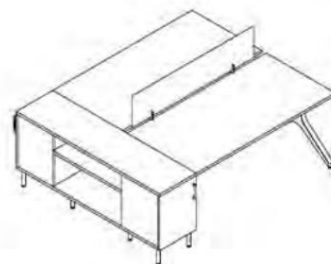
M23



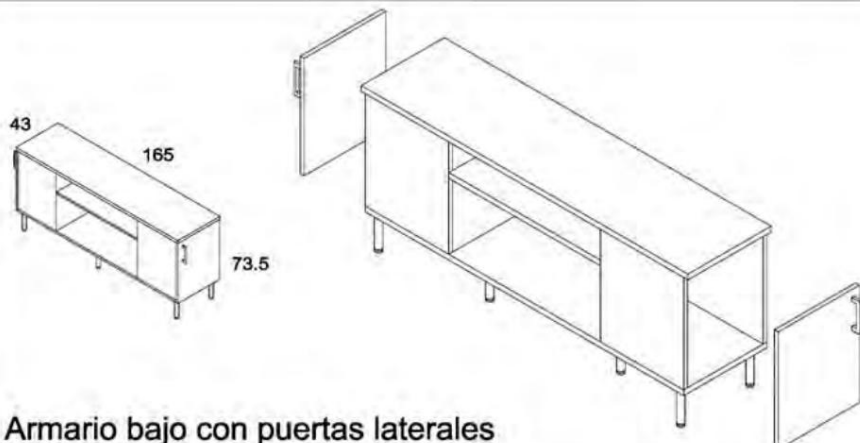
M24



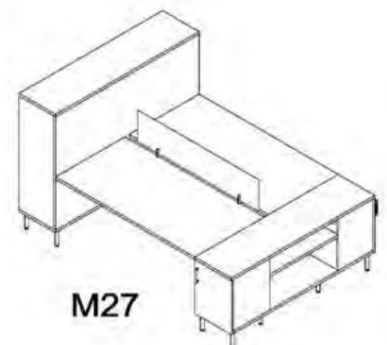
M25



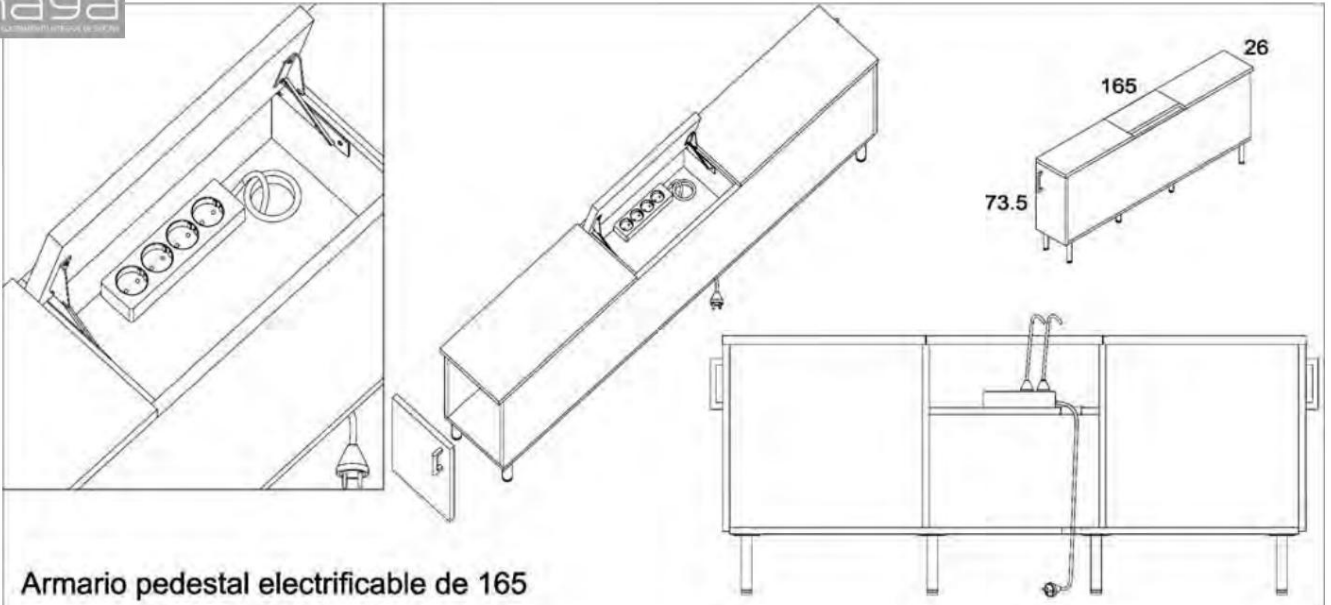
M26



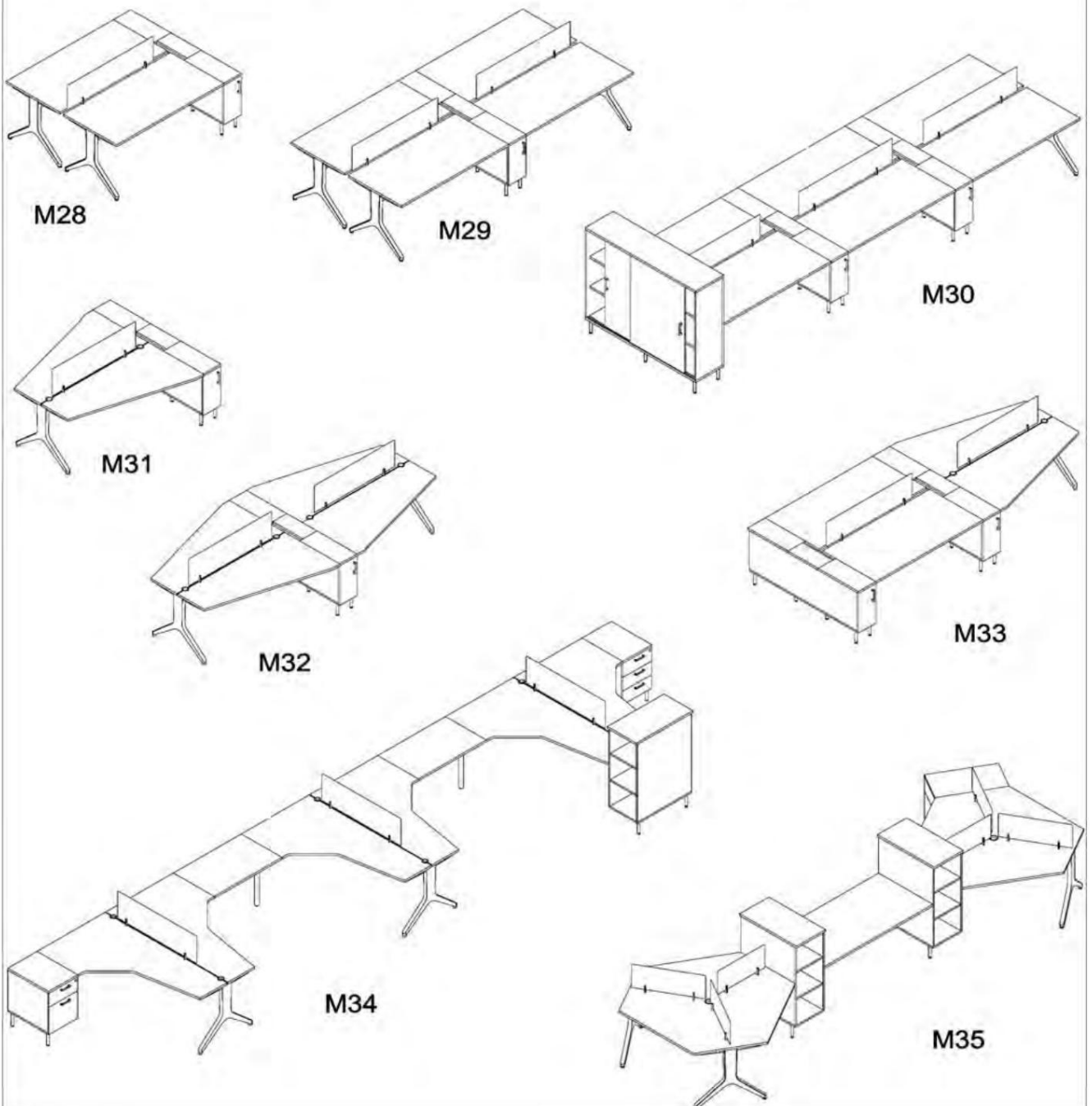
Armario bajo con puertas laterales

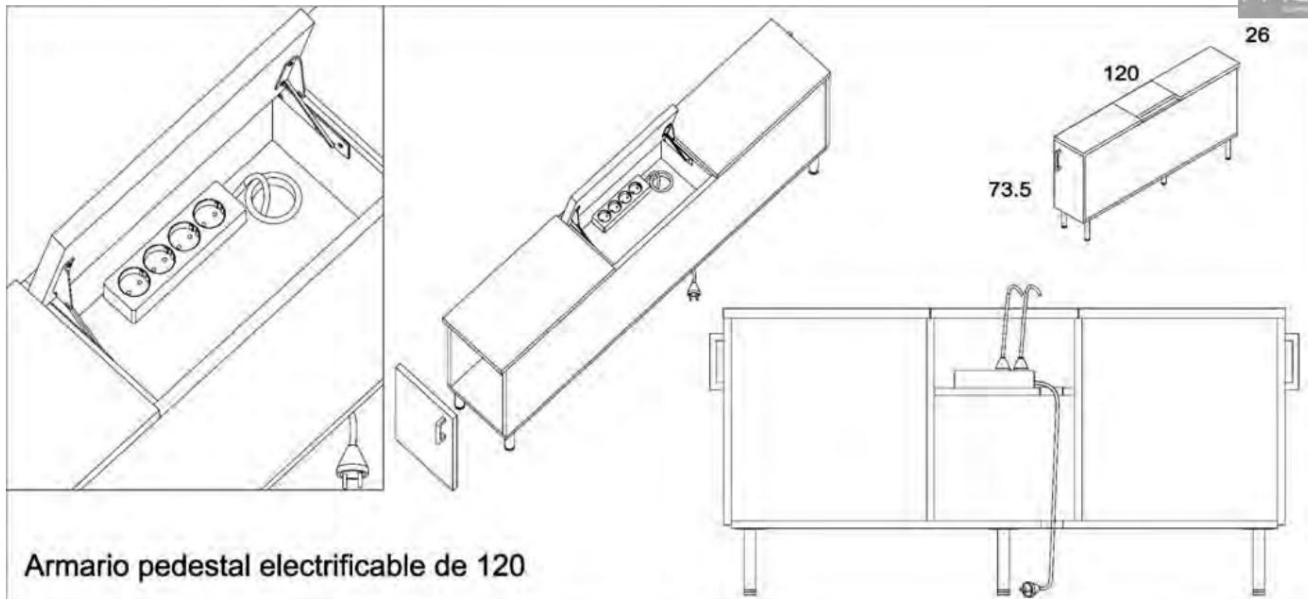


M27

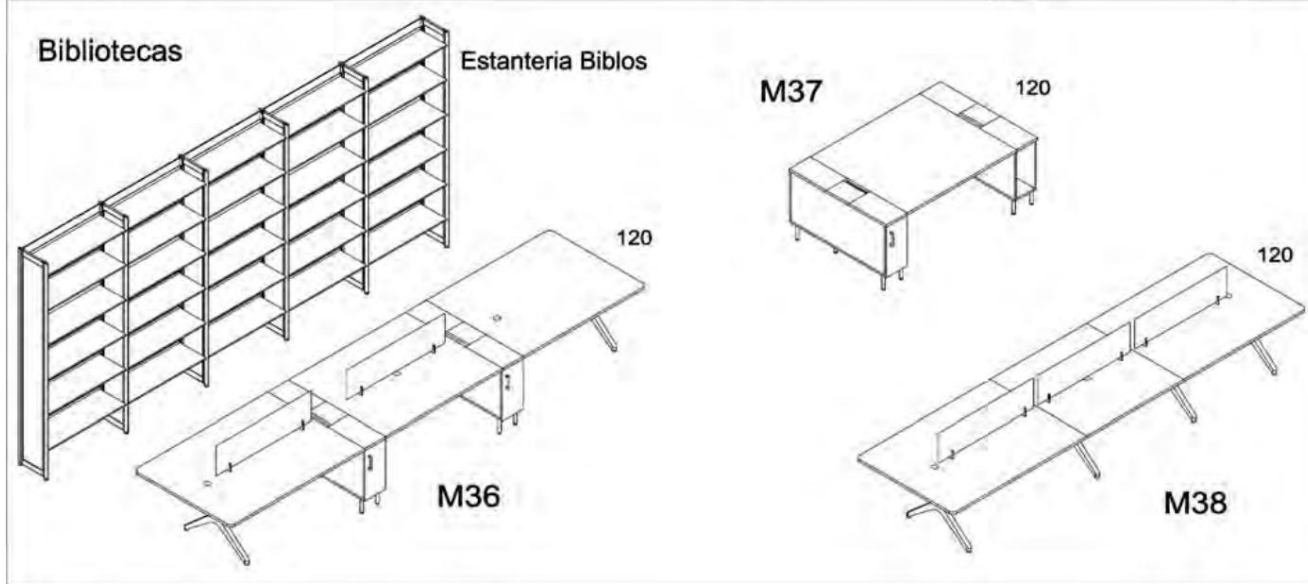


Armario pedestal electrificable de 165





Armario pedestal electrificable de 120



Bibliotecas

Estanteria Biblos

M37

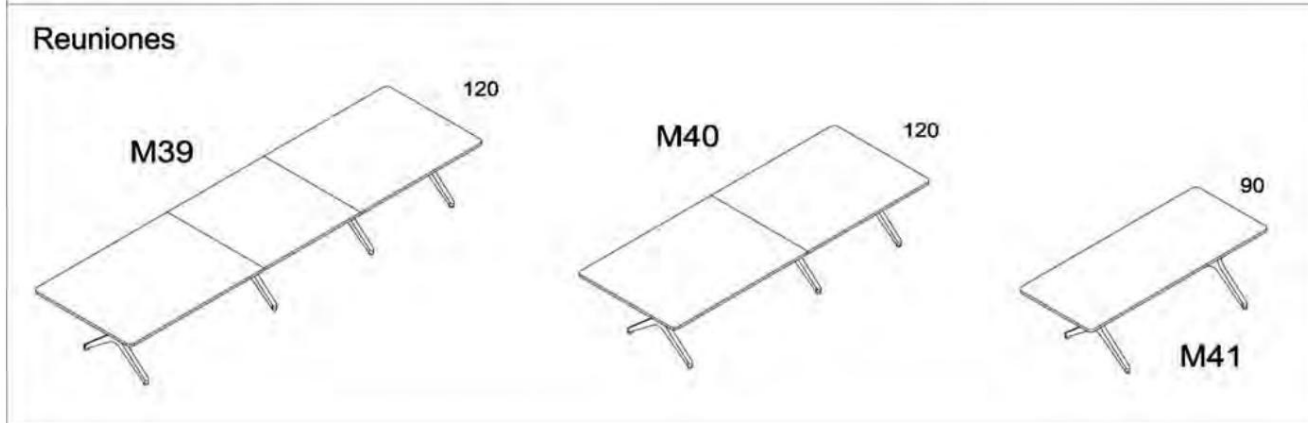
120

120

M36

120

M38



Reuniones

M39

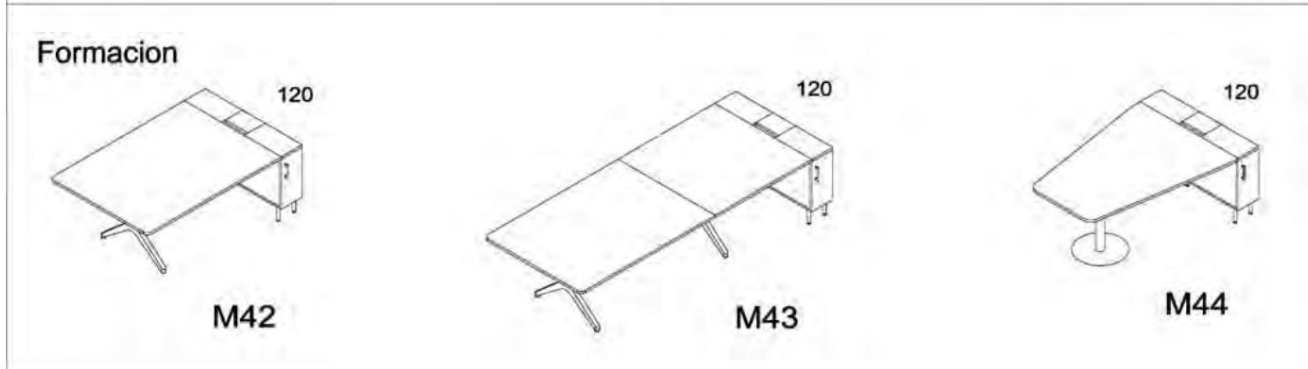
120

M40

120

90

M41



Formacion

120

M42

120

M43

120

M44