

CHAIR / ASH

ASH TREE

COMMUNITY SEATS



JDM
seating

Polígono La Portalada II / Cordonera, 5
CP 26006 – LOGROÑO (La Rioja)
Phone: 941-230752
Fax: 941-248977

ismobel.com

TABLE OF CONTENTS

- 1 / PRODUCT DESCRIPTION
- 2 / PHOTOGRAPHS
- 3 / REGULATIONS
- 4 / FINISHES
- 5 / PICTOGRAMS

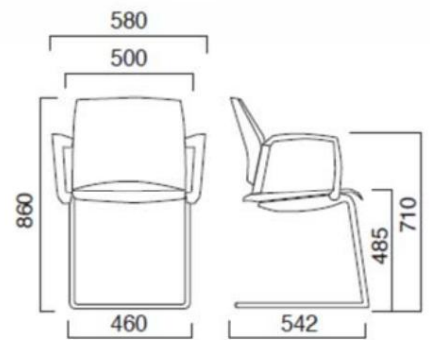
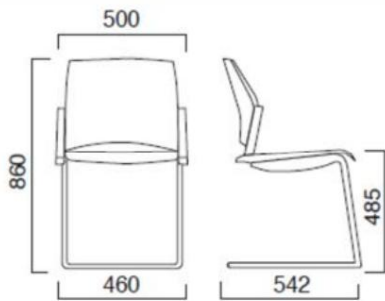
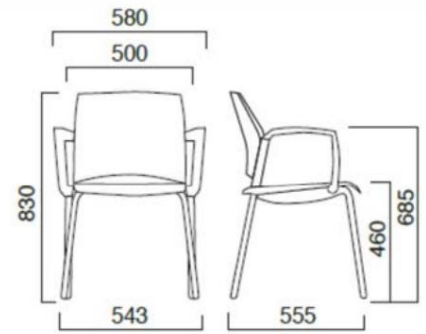
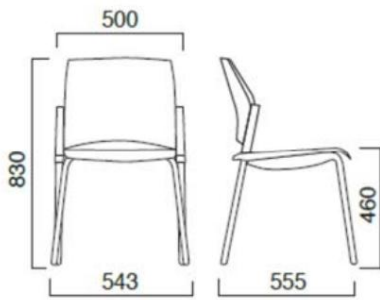
1/

DESCRIPTION**AND TECHNICAL CHARACTERISTICS**

Description of the product offered /

-
- Fixed 4-leg community chair with a round tube structure in cold-rolled steel 1.8mm thick and 22mm in diameter. • Structure painted in multilayer epoxy polyester in aluminum, white or textured black (average thickness 80 microns). Optionally it can be served in a shiny chrome finish.
 - Optionally, it can be served with a gloss chrome skate structure or epoxy paint in the color of your choice. • It has non-slip rubber studs at the base of the legs to protect the floor avoiding scratches. • Anatomical and ergonomic seat and back, made of polypropylene in various colors, reinforced with fiberglass. Average thickness of 6mm. • Ergonomic seat with non-slip moldings. • Optionally, the seat and backrest can be upholstered in any of the fabrics from the JDM catalog SILLERÍA SL
 - Smooth ergonomic backrest (FRESNO model) or micro-perforated (PERFORADO FRESNO model) • Optionally, the mesh backrest with a polyamide frame can be supplied to match the rest of the the chair (black, white or grey).
 - Does not contain materials that are harmful to the environment.
 - Stackable chair up to a maximum of 10 units.
 - The chair incorporates a set of closed arms made of polypropylene with the same finishes as the seat and back. • Shovel can be incorporated to the right or left (stackable chair with shovel). • Optionally, a cart can be purchased to transport the stacked chairs. • Optionally, it can be purchased with a 4-spoke pyramidal base in white or black polypropylene. • with levelers.
 - It is also served with a fixed stool structure or swivel stool.

DIMENSIONS /



2/
PHOTOGRAPHS





3/

NORMATIVE

Regulations that it complies with (Annexes are attached)

- ISO 9001 quality certificate.
- ISO 14001 Environmental Certificate.
- TECNALIA quality mark certificate.
- CATAS product certificate.

4/

FINISHES

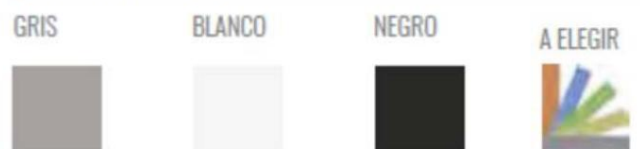
ACABADOS MALLAS



METÁLICOS



PLÁSTICOS Y BRAZOS



BASES GIRATORIAS



OTROS ACABADOS

Acabados y tipologías de bases, ruedas, brazos y mecanismos: Consultar tarifa.

Las sillas se pueden tapizar con cualquier tejido o piel de nuestro muestrario o con tejidos suministrados por el cliente.