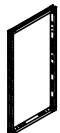
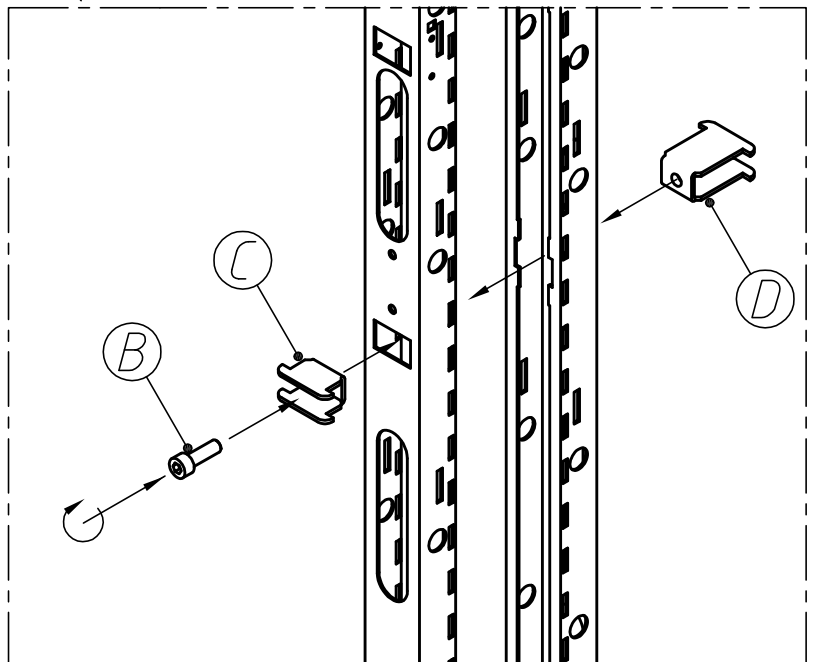
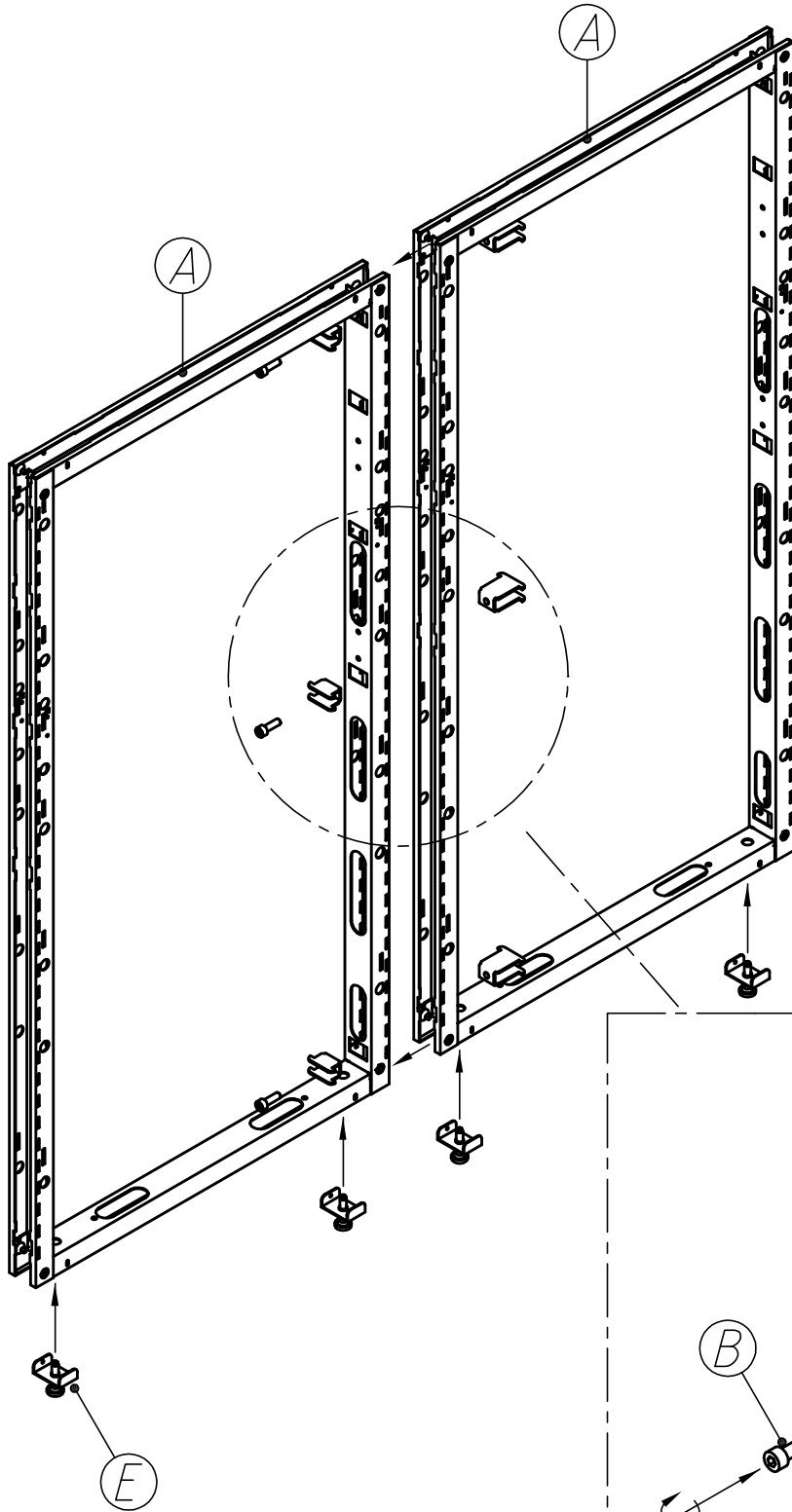
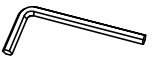




2mn



x 1



M8x25



Pz/Pcs

A

B

C

D

E

COD. 29000---

Qt/Qty

2

3

3

3

4

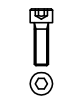
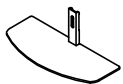
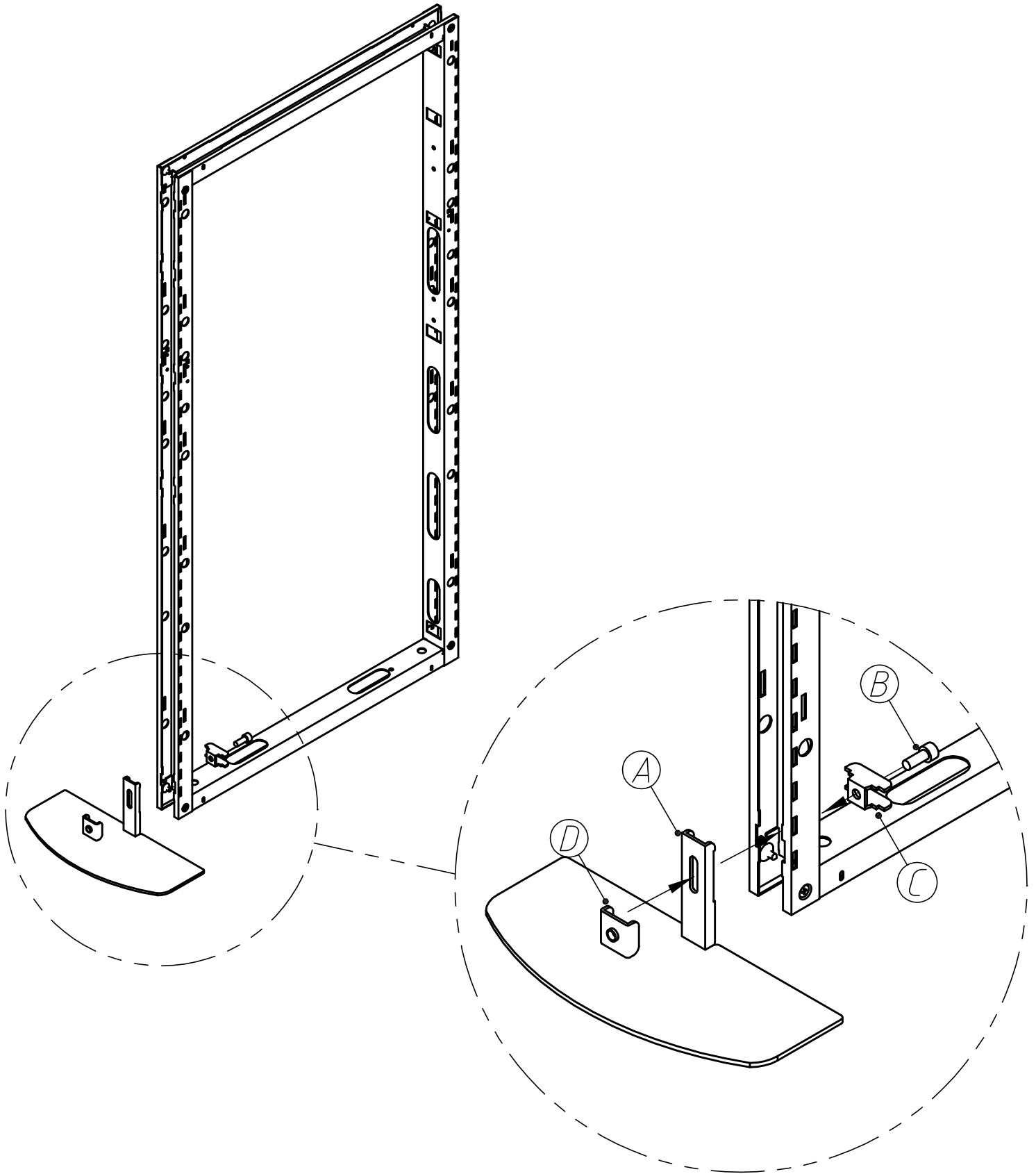
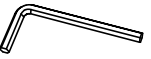
Rev. 06/2006



2mn



x 1



M8x25



Pz/Pcs

A

B

C

D

COD. 29000---

Qt/Qty

1

1

1

1

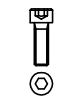
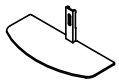
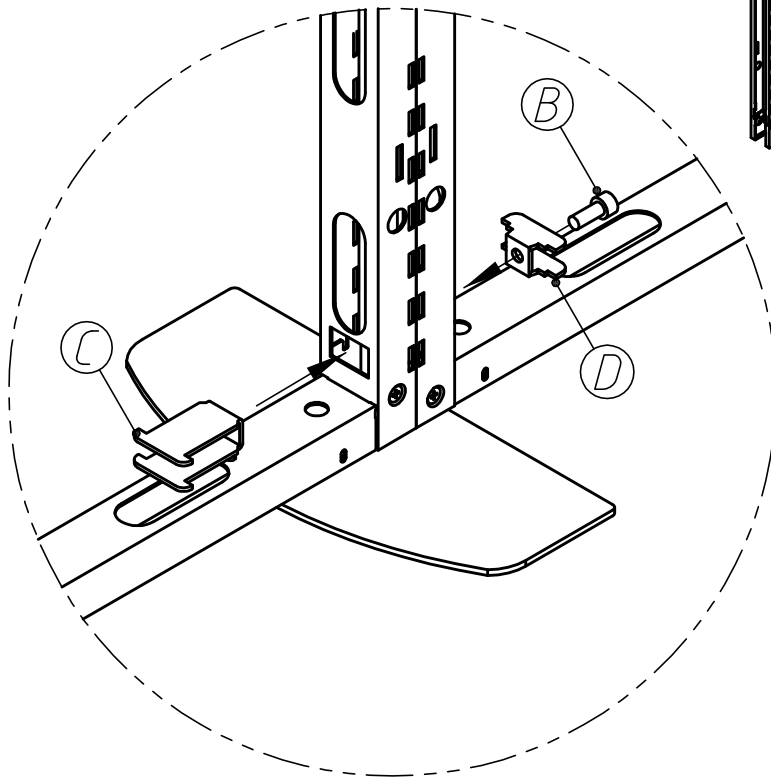
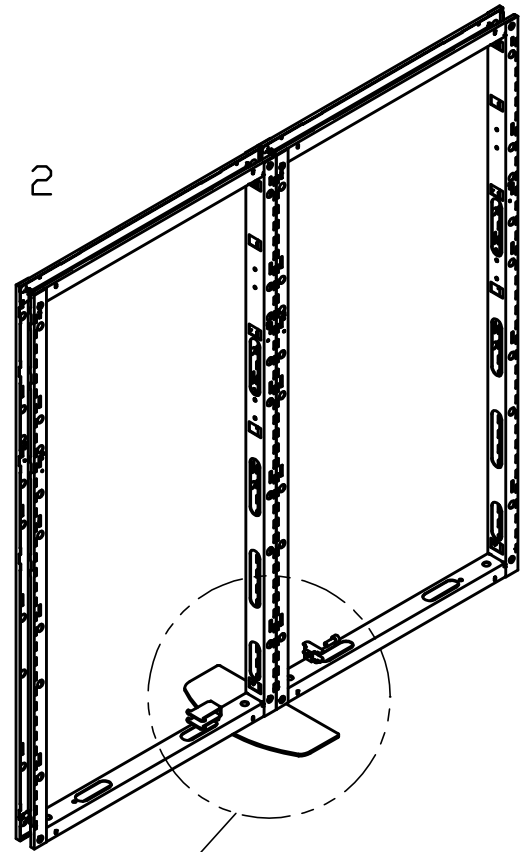
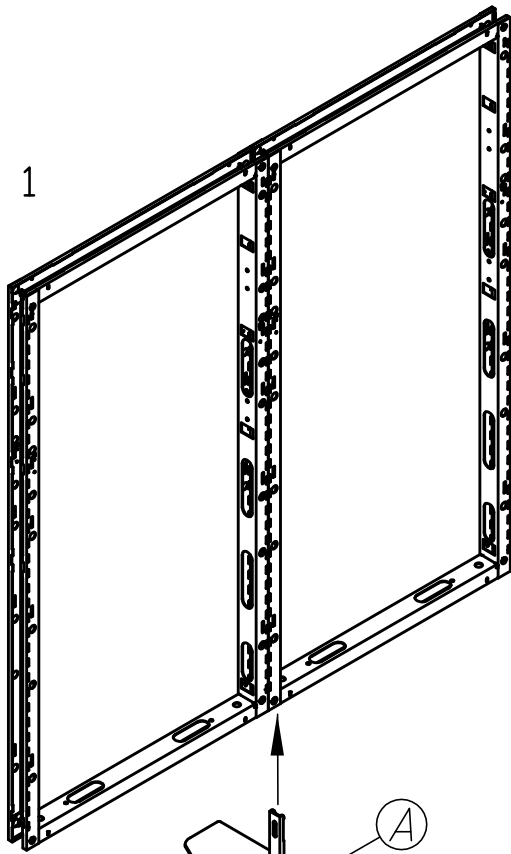
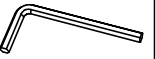
Rev. 06/2006



2mn



x 1



M8x25



Pz/Pcs

A

B

C

D

COD. 29000---

Qt/Qty

1

1

1

1

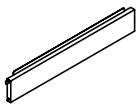
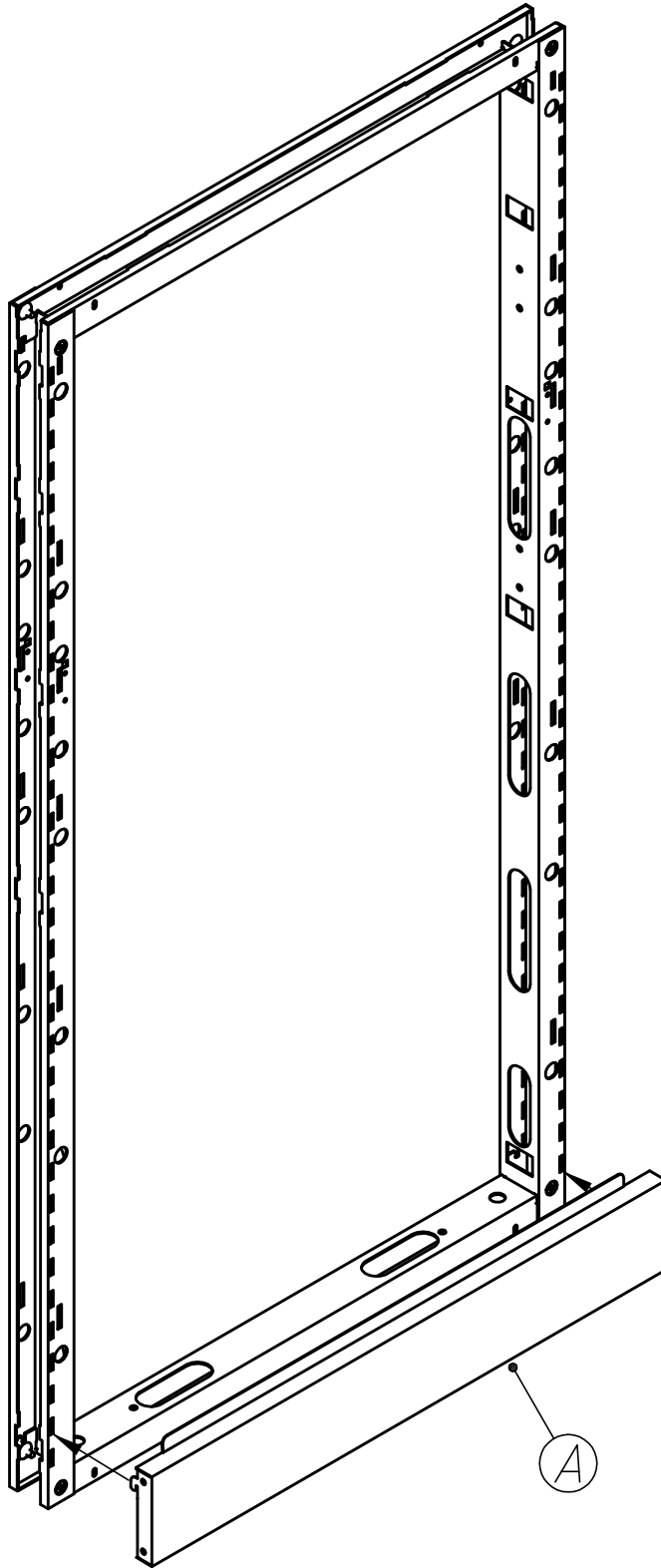
Rev. 06/2006



1mm



x 1



Pz/Pcs

A

Qt/Qty

1

COD. 29000---

Rev. 09/2006

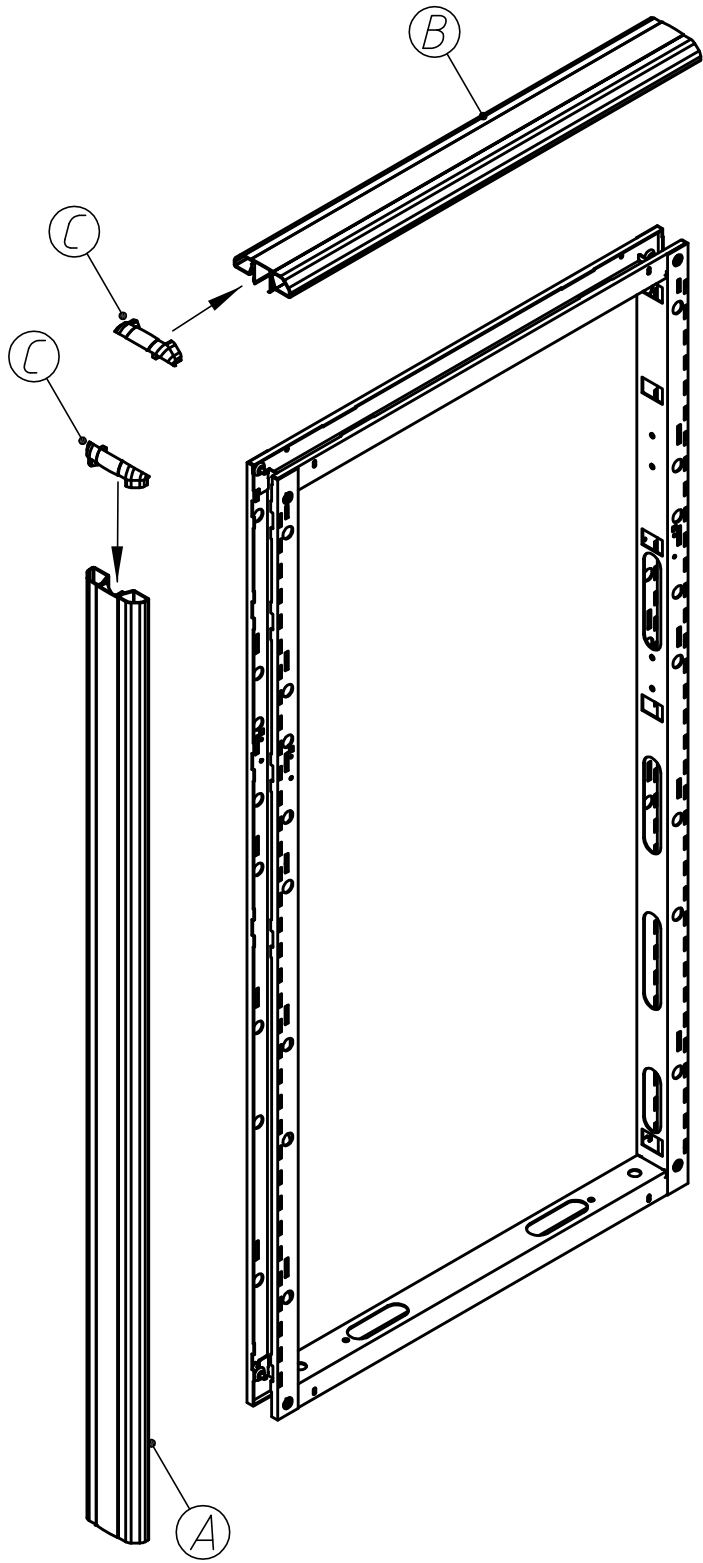


2mn

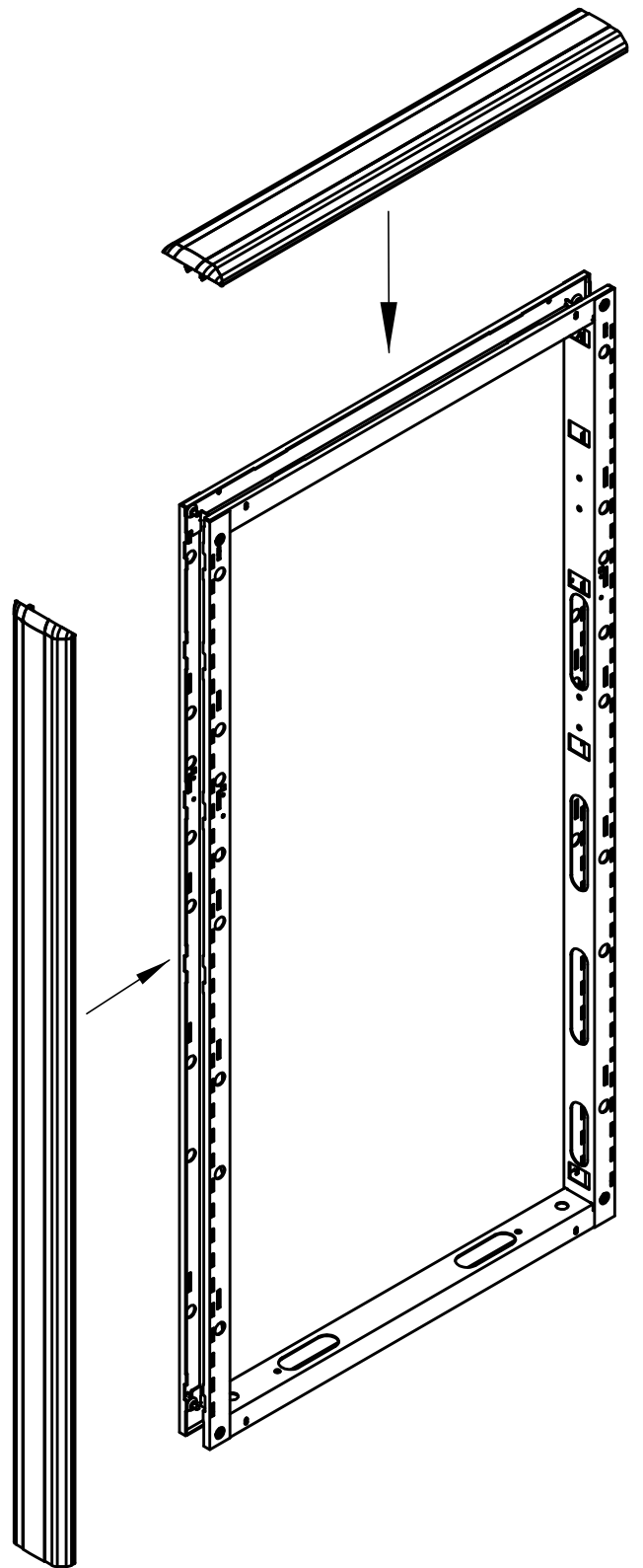


x 1

1



2



Pz/Pcs	A	B	C
Qt/Qty	1	1	2

COD. 29000---

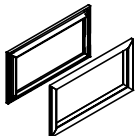
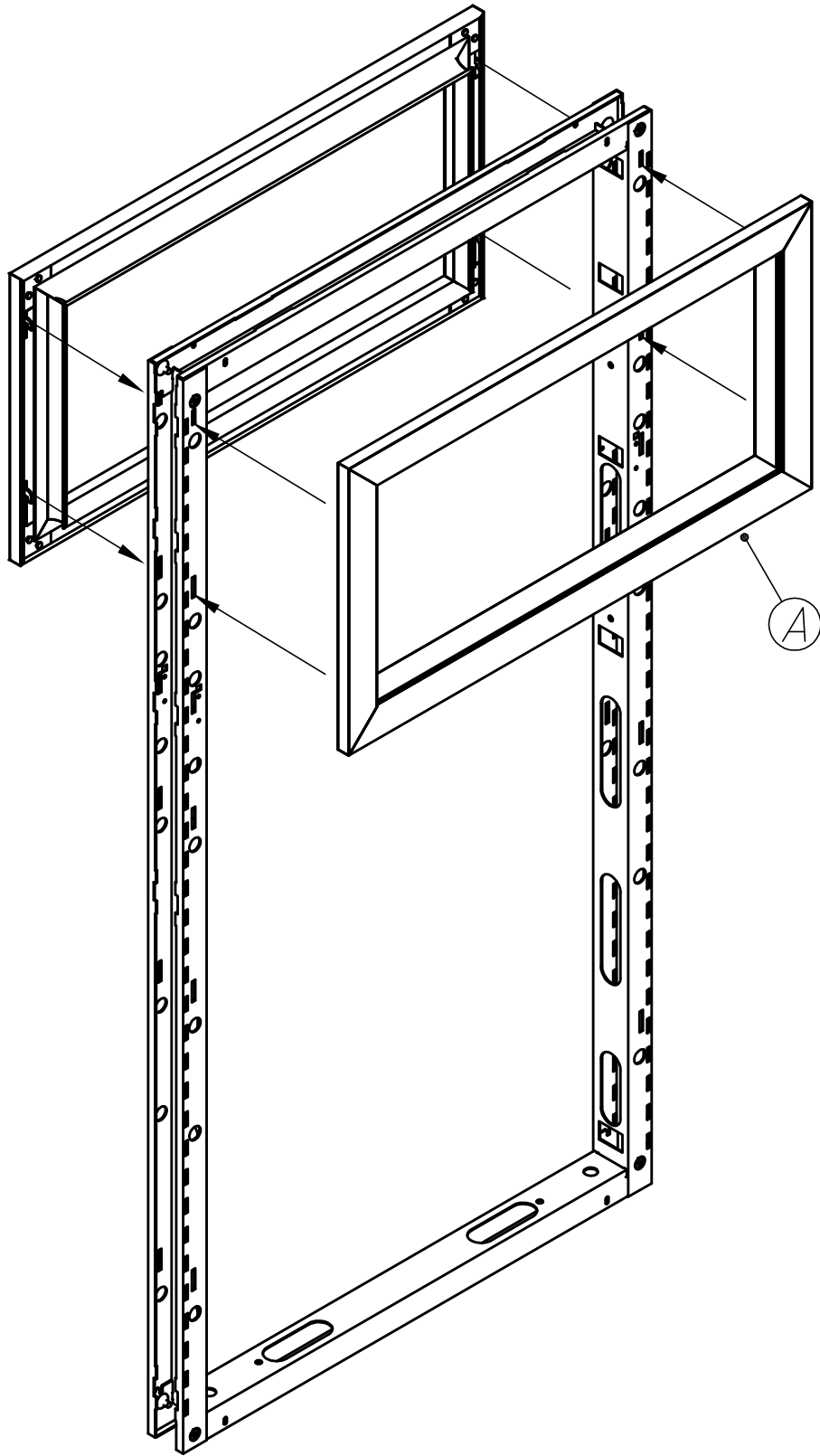
Rev. 06/2006



2mn



x 1



Pz/Pcs

A

Qt/Qty

1

COD. 29000---

Rev. 09/2006

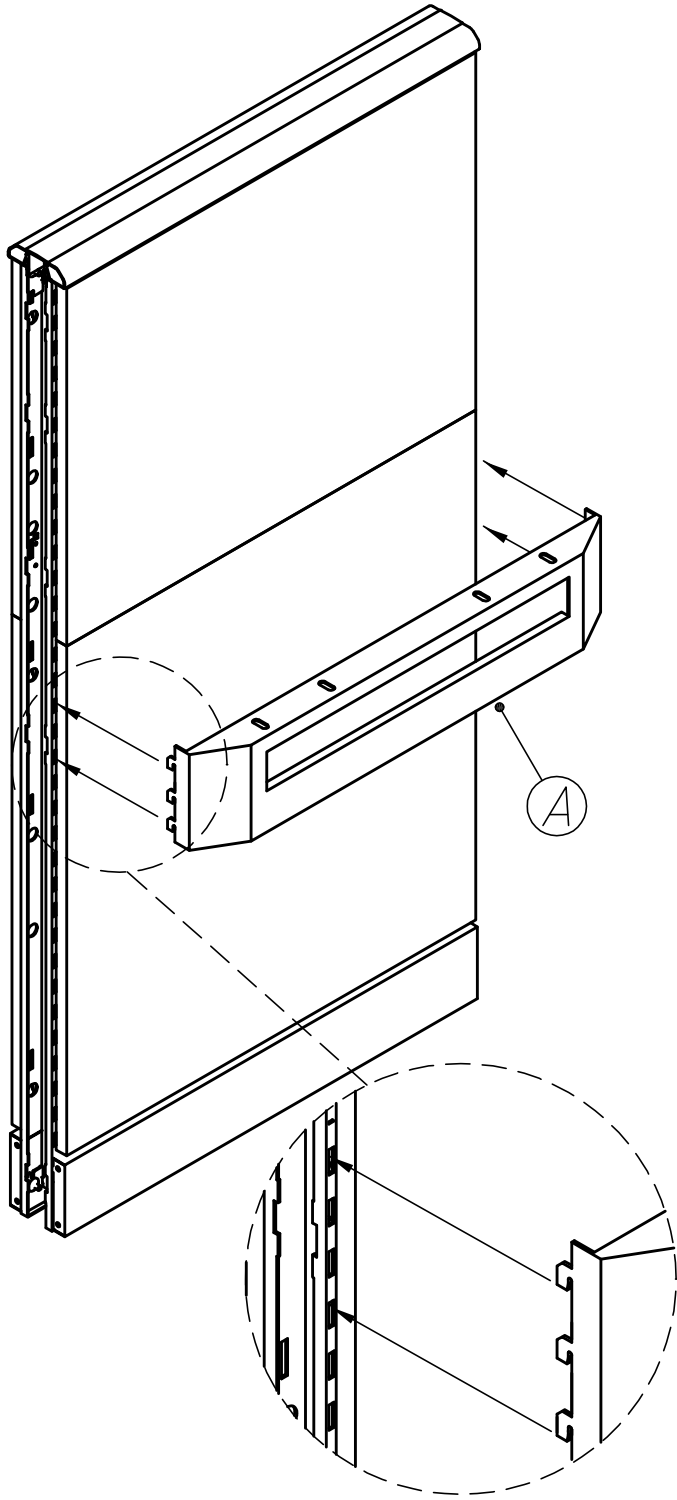


3mn

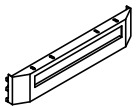
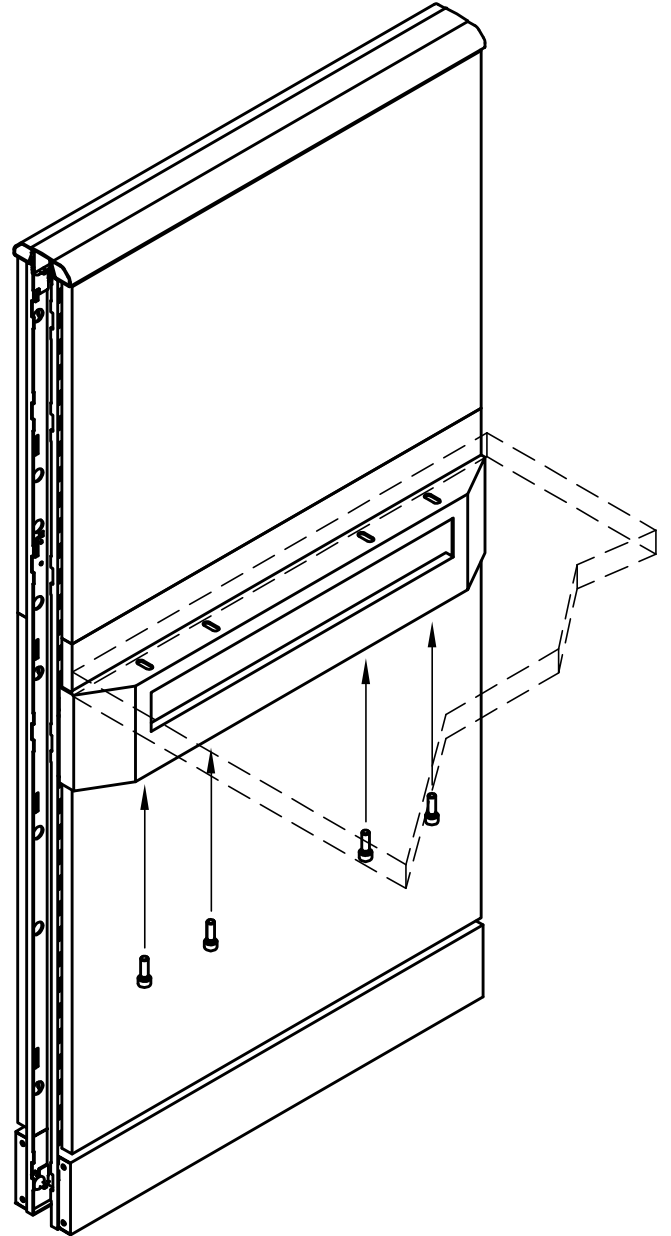


x 1

1



2



Pz/Pcs

A

Qt/Qty

1

COD. 29000---

Rev. 12/2006

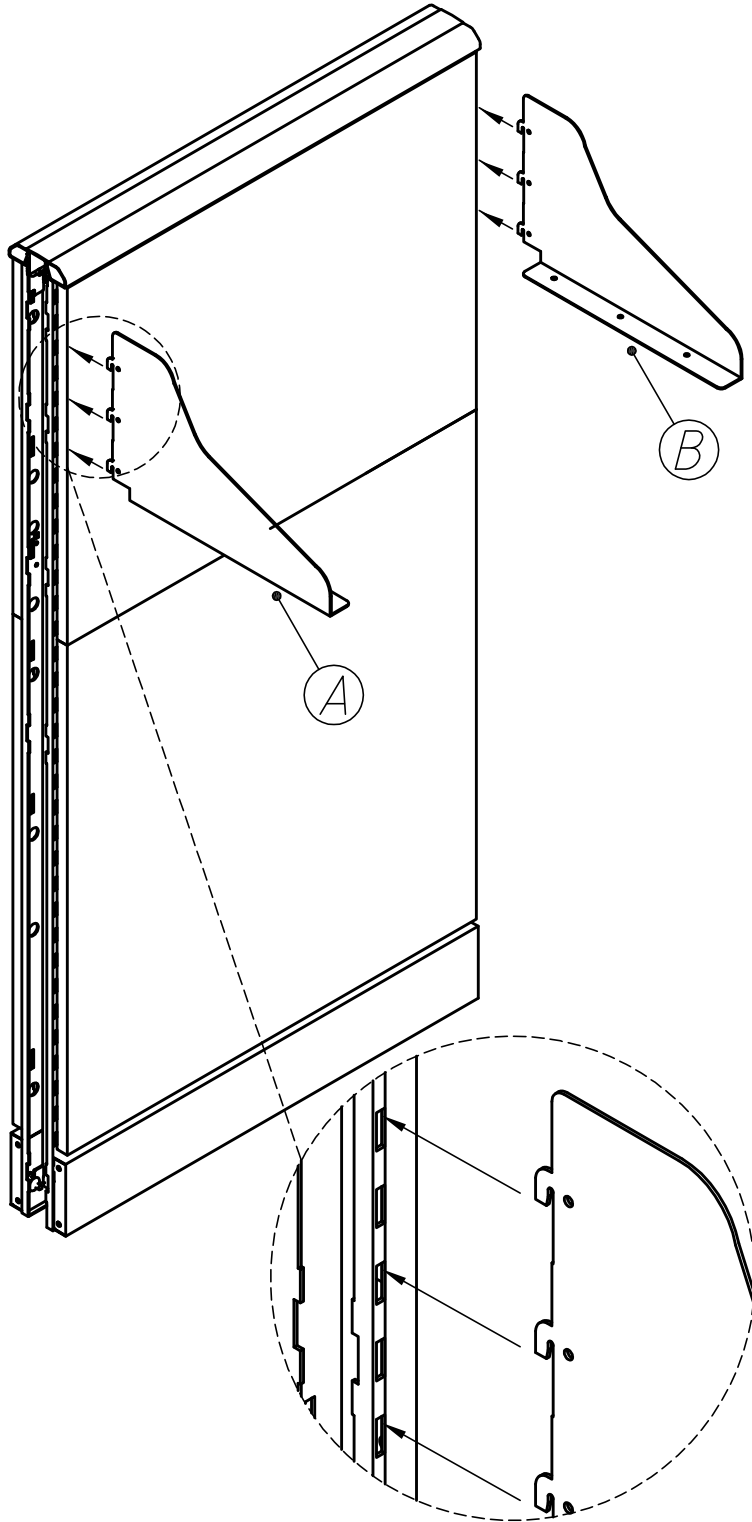


3mn

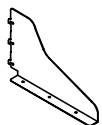
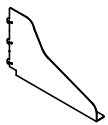
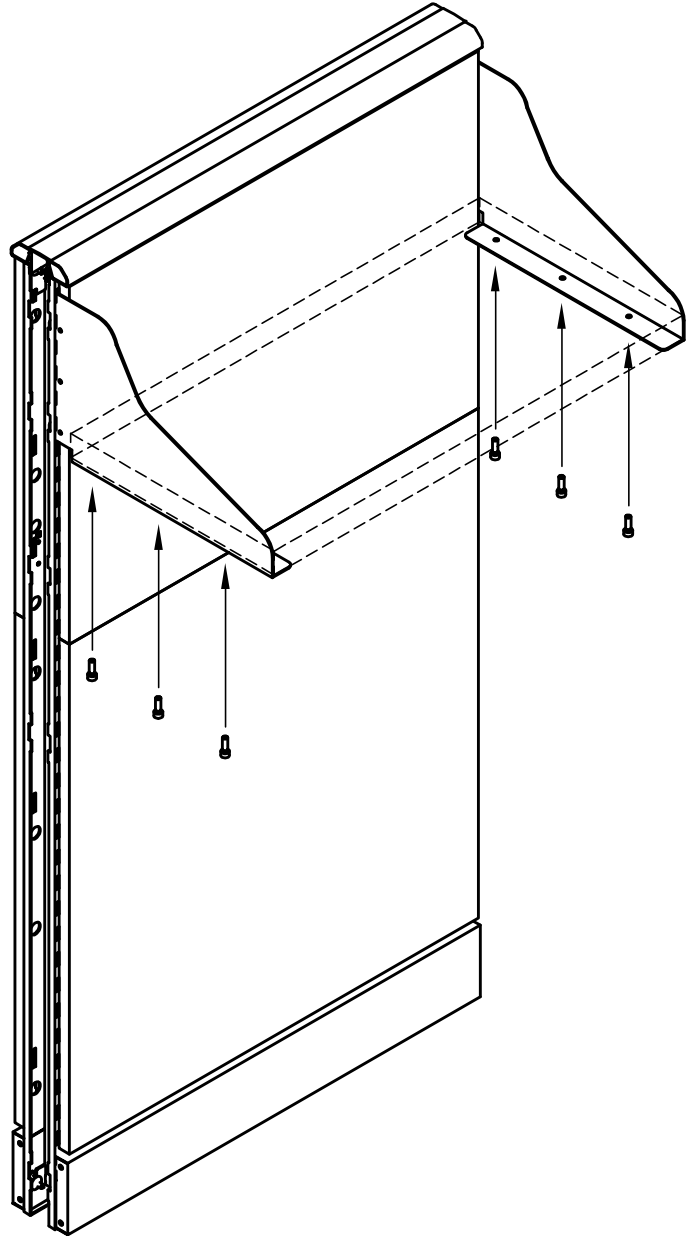


x 1

1



2



Pz/Pcs

A

B

Qt/Qty

1

1

COD. 29000---

Rev. 12/2006

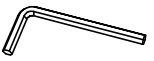




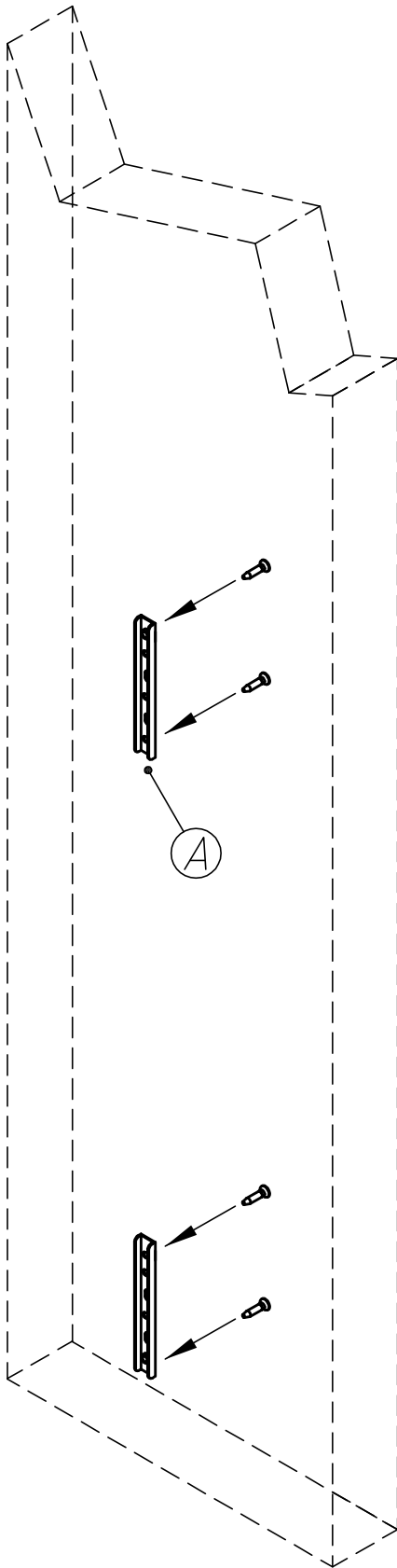
4mn



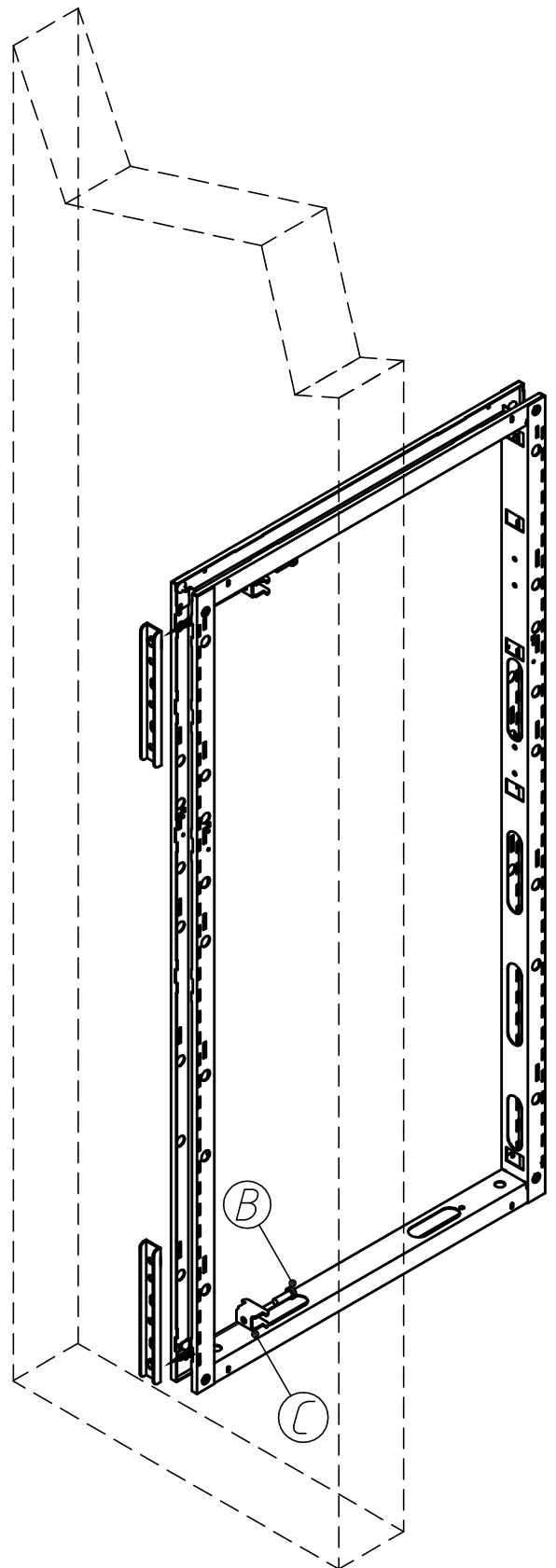
x 2



1



2



M8x25



Pz/Pcs

A

B

C

Qt/Qty

2

2

2

COD. 29000---

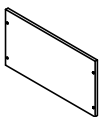
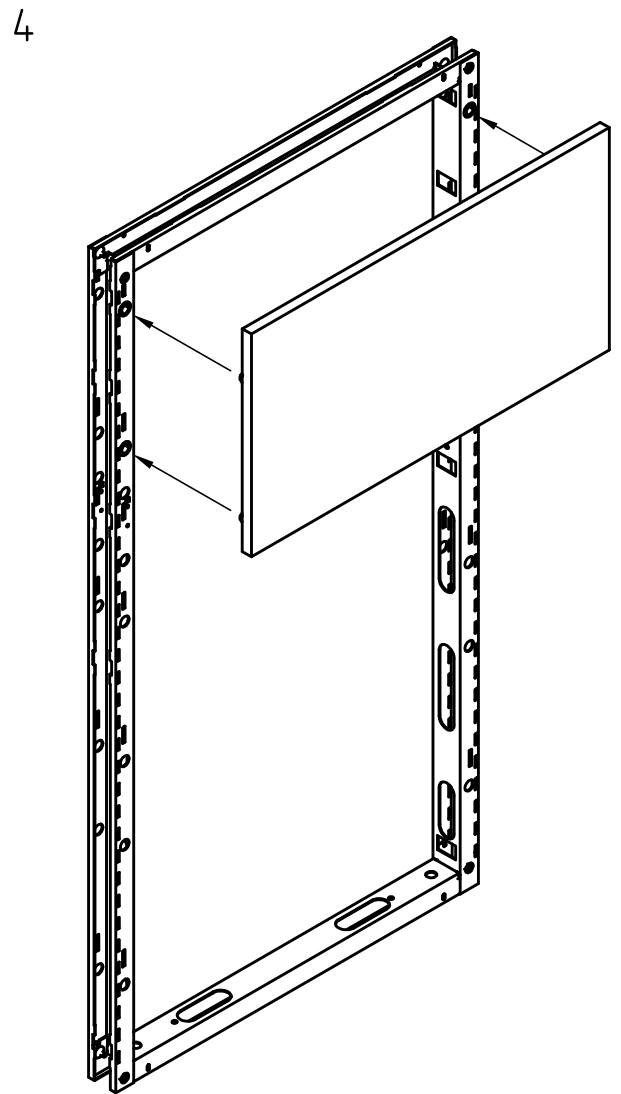
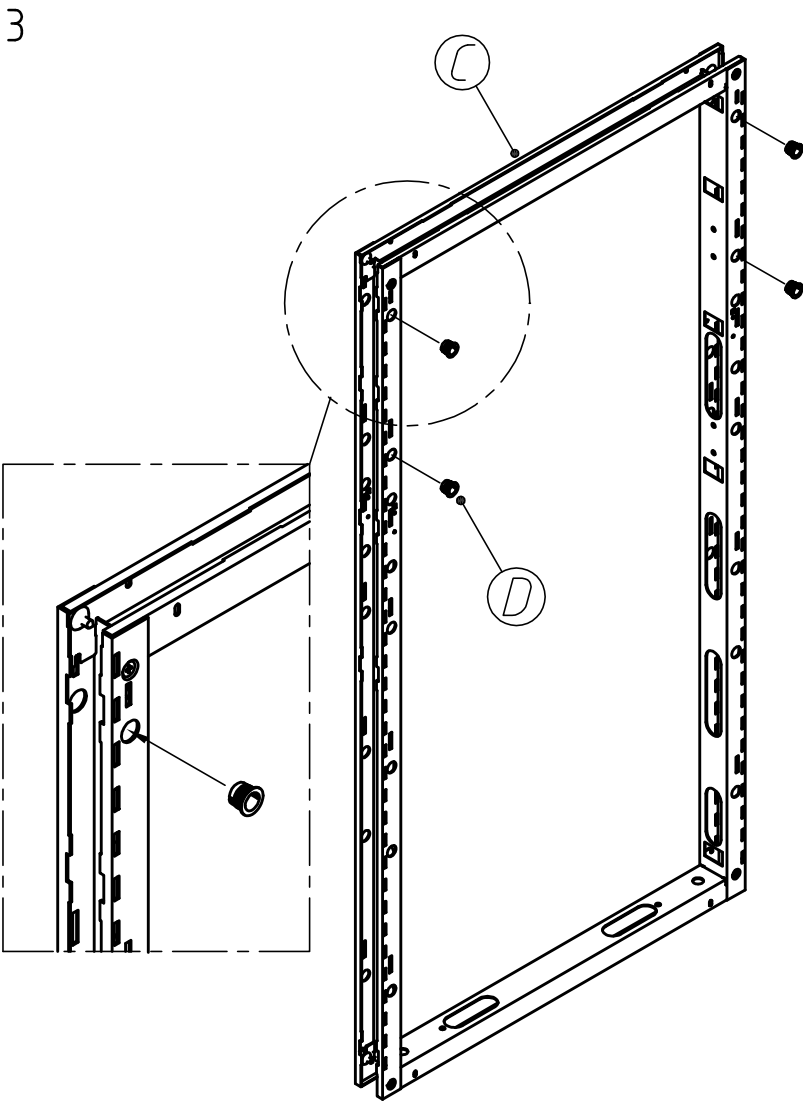
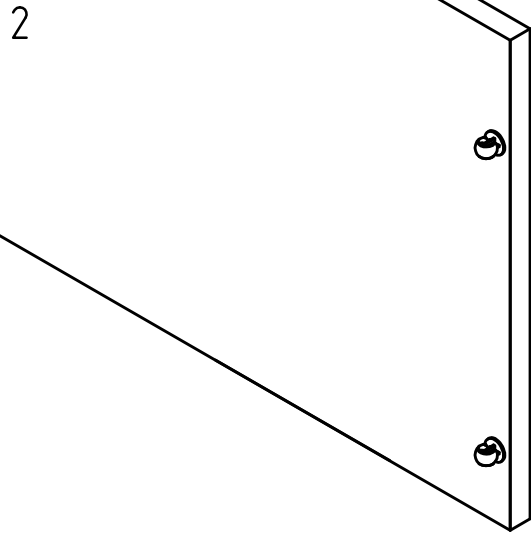
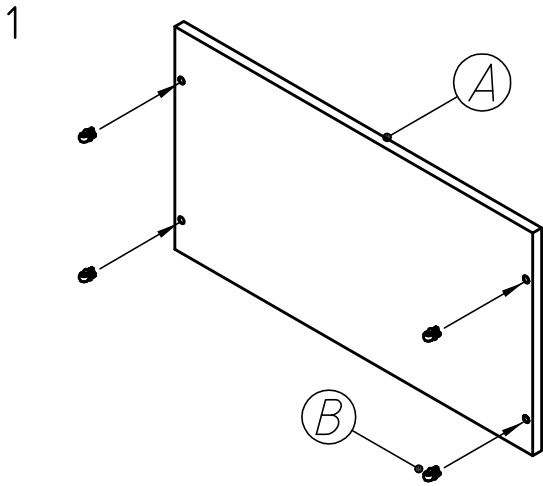
Rev. 12/2006



2mn



x 1



Pz/Pcs

A

B

C

D

COD. 29000---

Qt/Qty

1

4

1

4

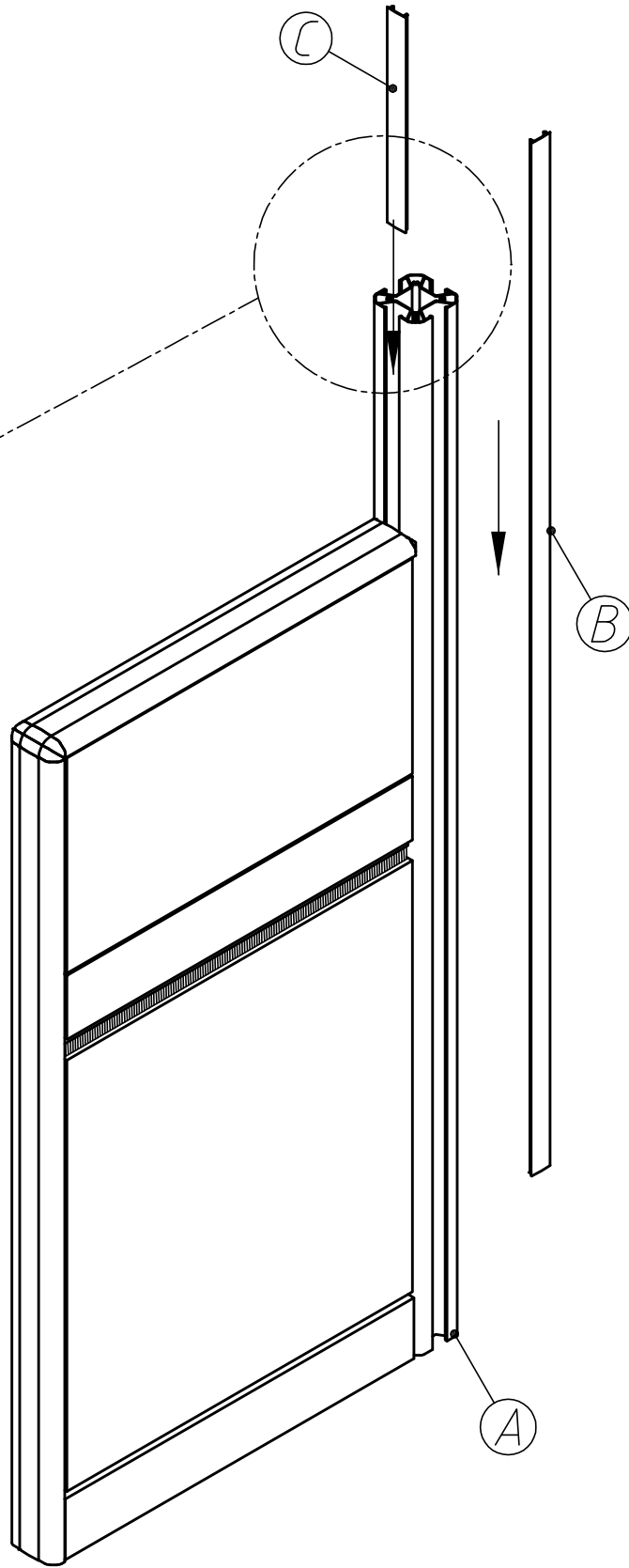
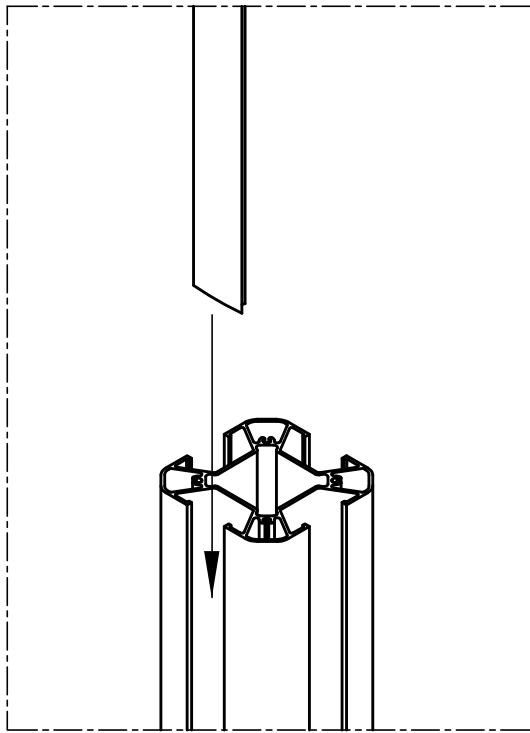
Rev. 12/2006



2mn



x 1



Pz/Pcs

A

B

C

Qt/Qty

1

1

1

COD. 29000---

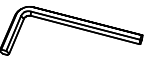
Rev. 09/2006



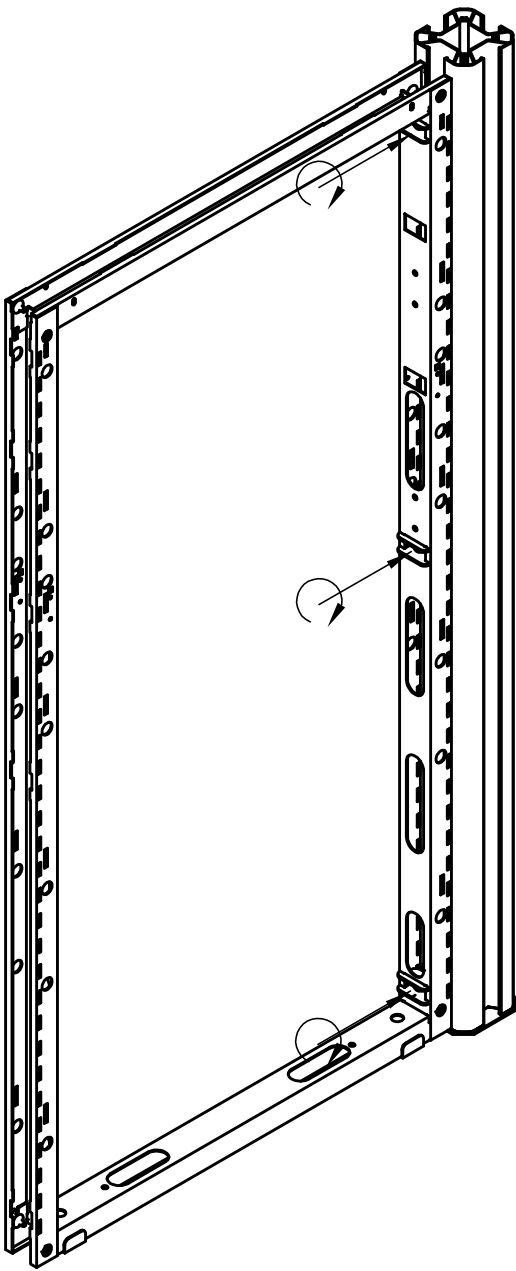
3mn



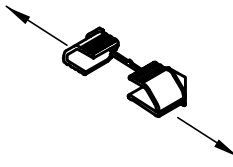
x 2



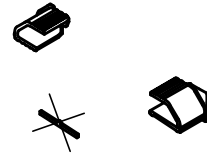
3



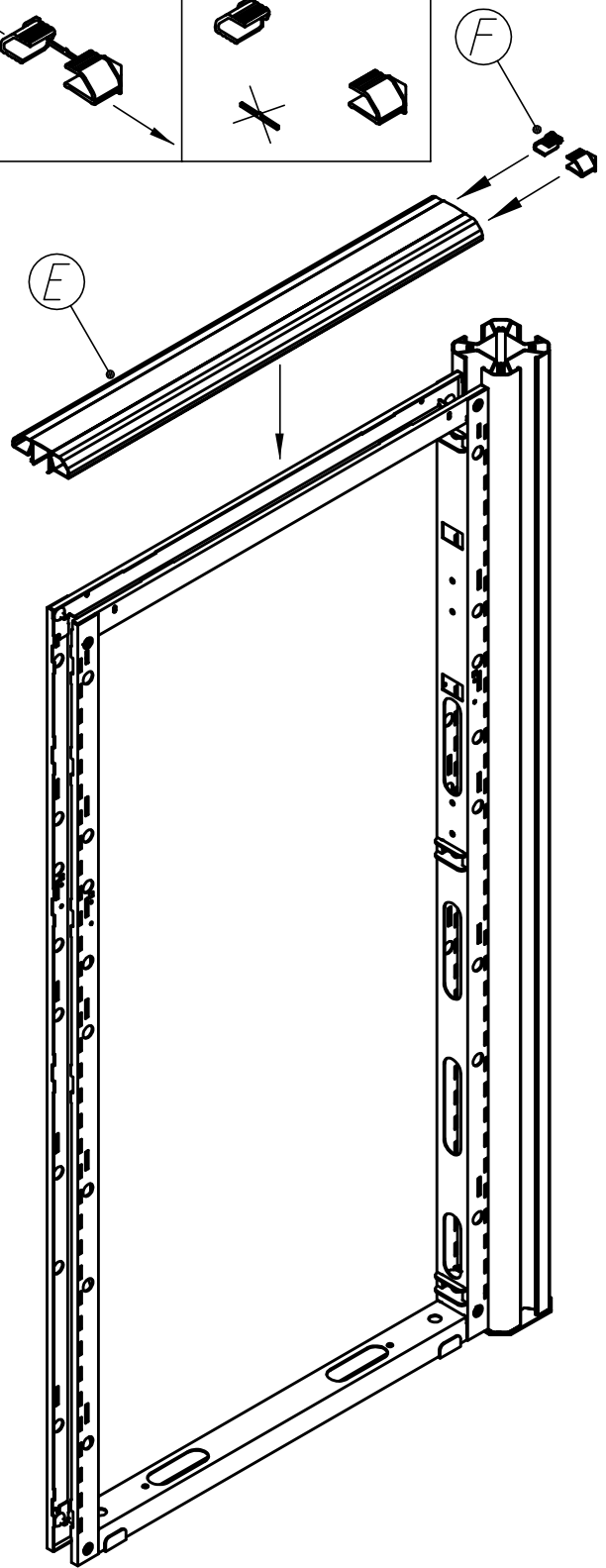
6



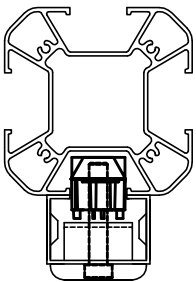
7



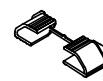
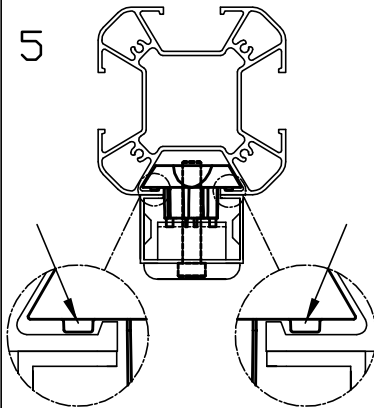
8



4



5



Pz/Pcs

A

B

C

D

E

F

Qt/Qty

3

3

3

1

1

1

COD. 29000---

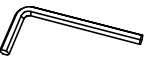
Rev. 12/2006



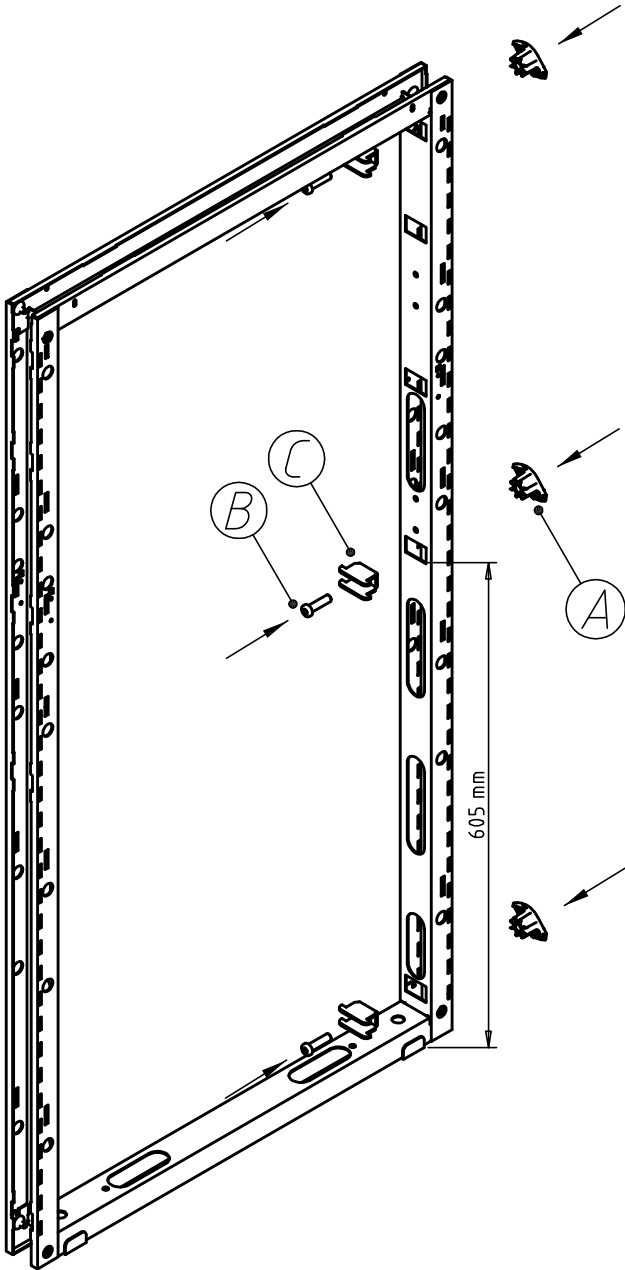
3mn



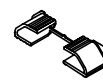
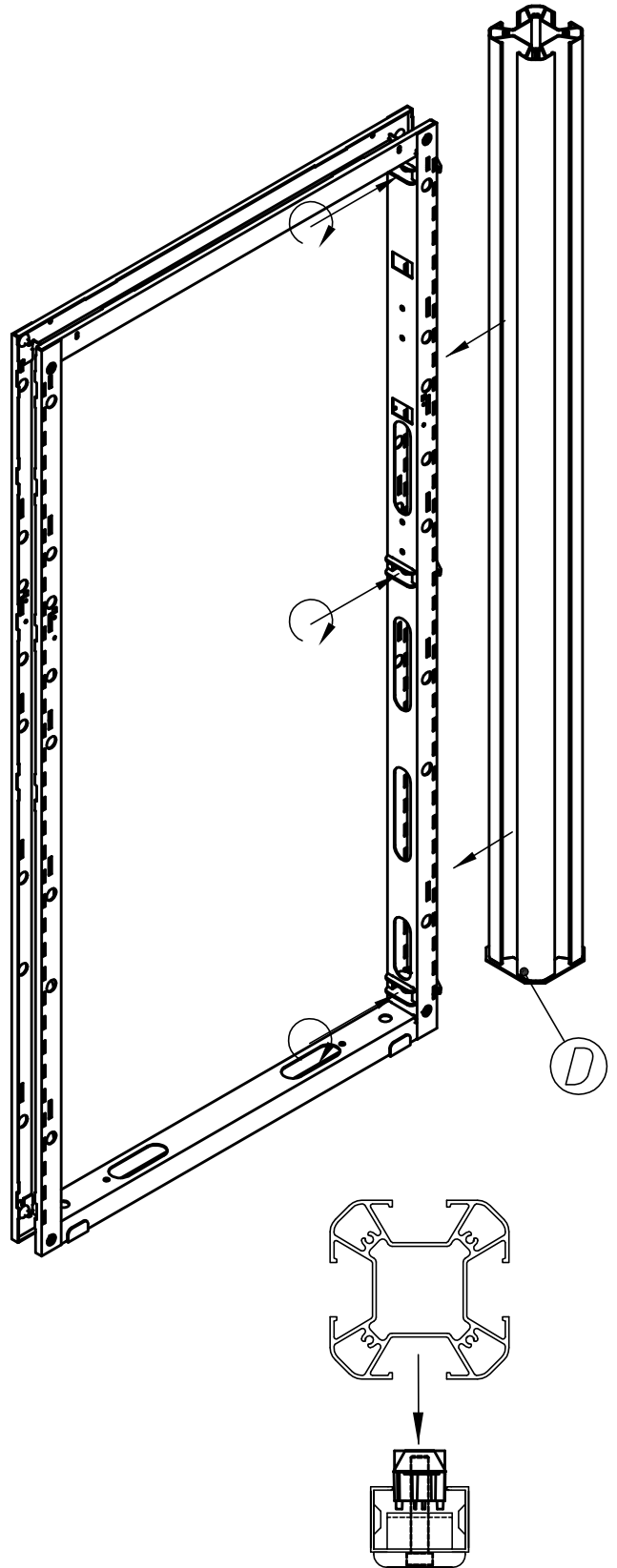
x 2



1



2



Pz/Pcs

A

B

C

D

E

F

Qt/Qty

3

3

3

1

1

1

COD. 29000---

Rev. 12/2006